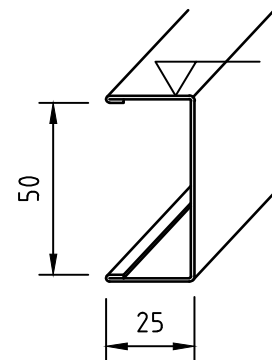
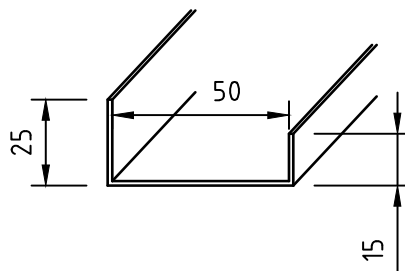


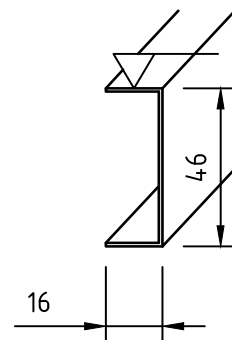
Top profile
type 251
Galv 1,0 mm



Connection profile
type 452

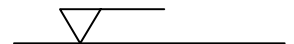


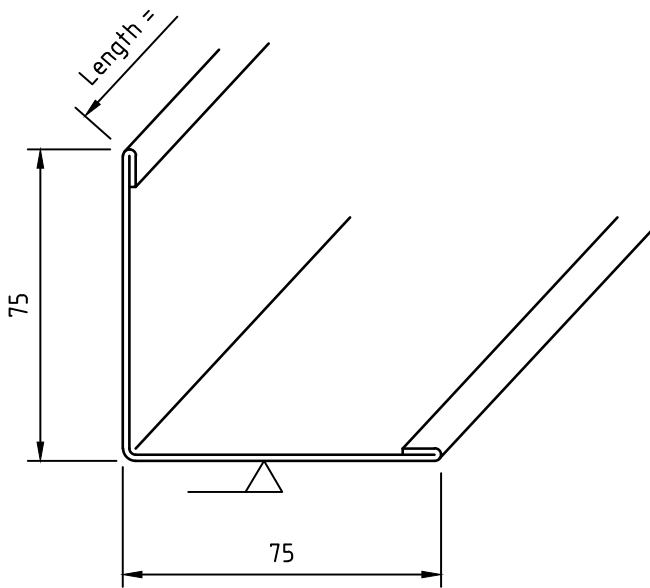
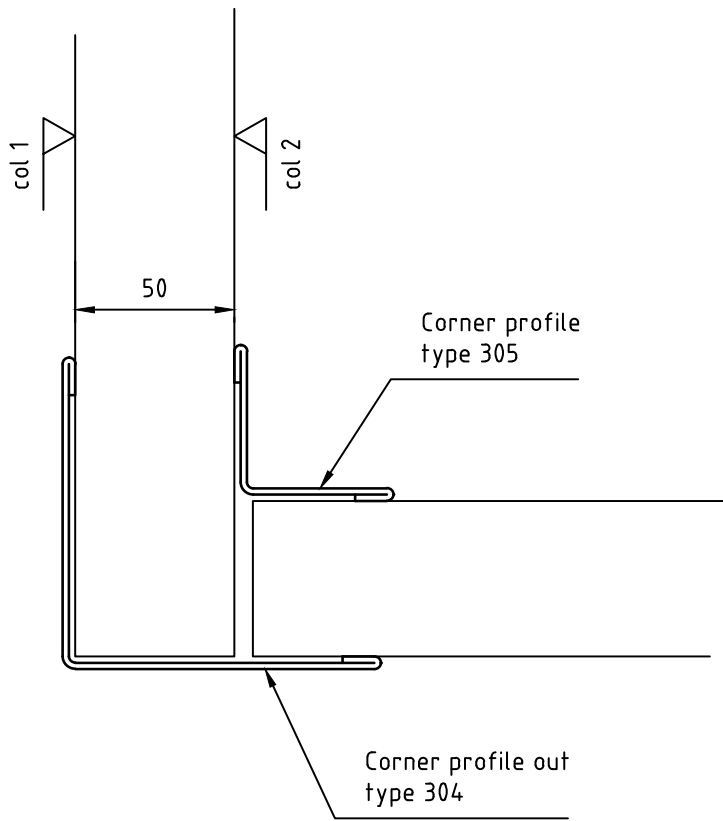
Bottom profile
type 151
Galv 1,25 mm



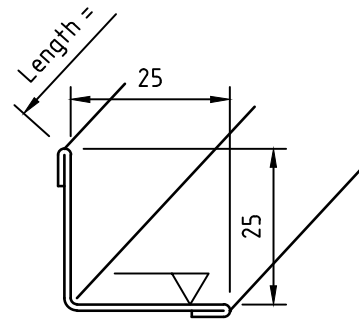
Connection profile
type 451

PVC or painted
thickness 0,6 mm



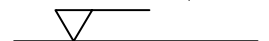


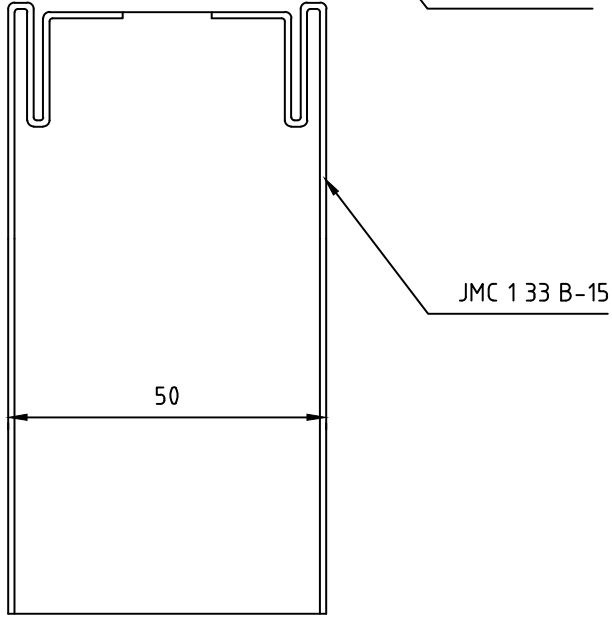
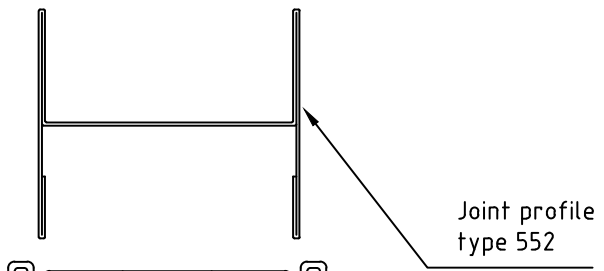
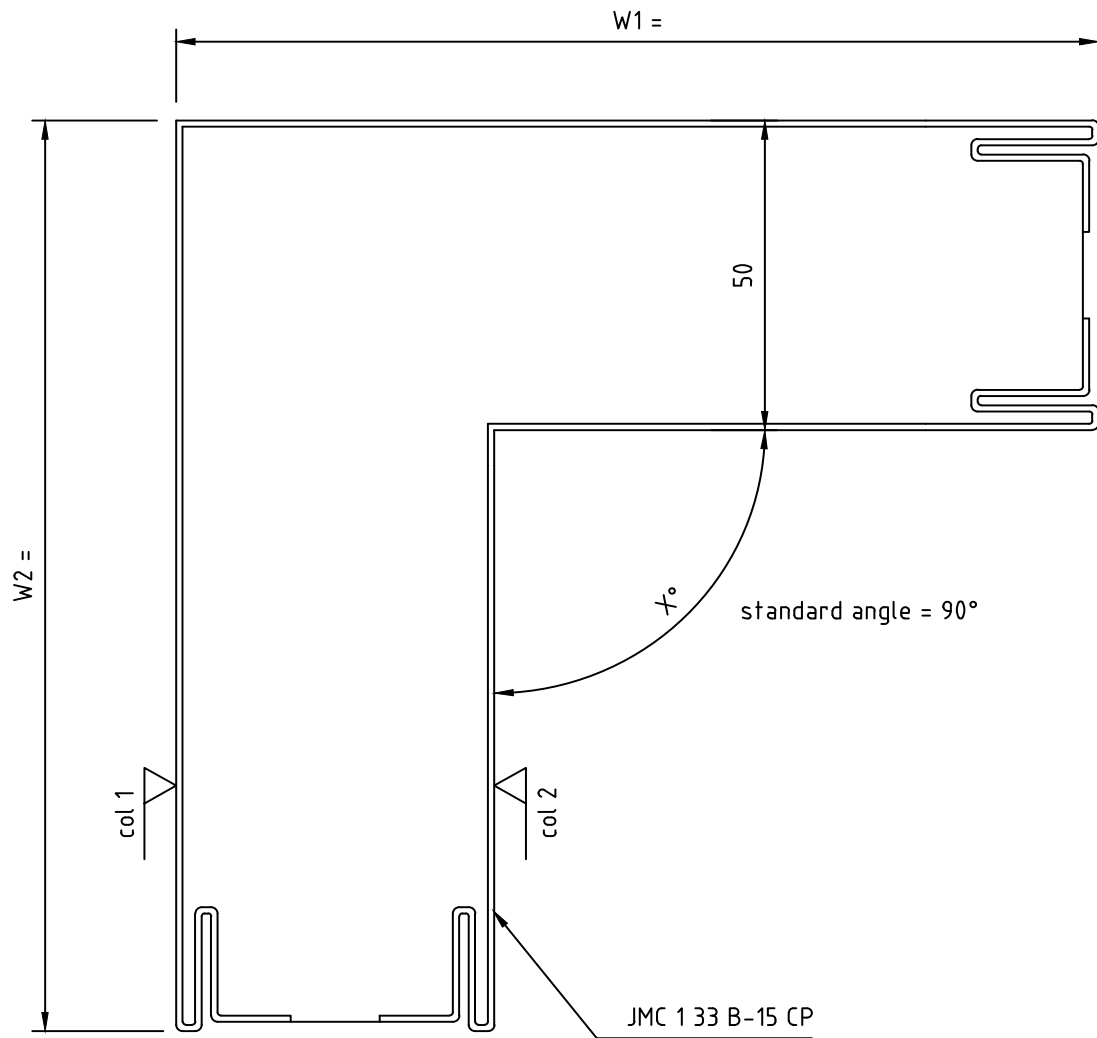
Corner profile out
type 304



Corner profile in
type 305

PVC or painted
thickness 0,6 mm





PVC or painted
thickness 0,6 mm

