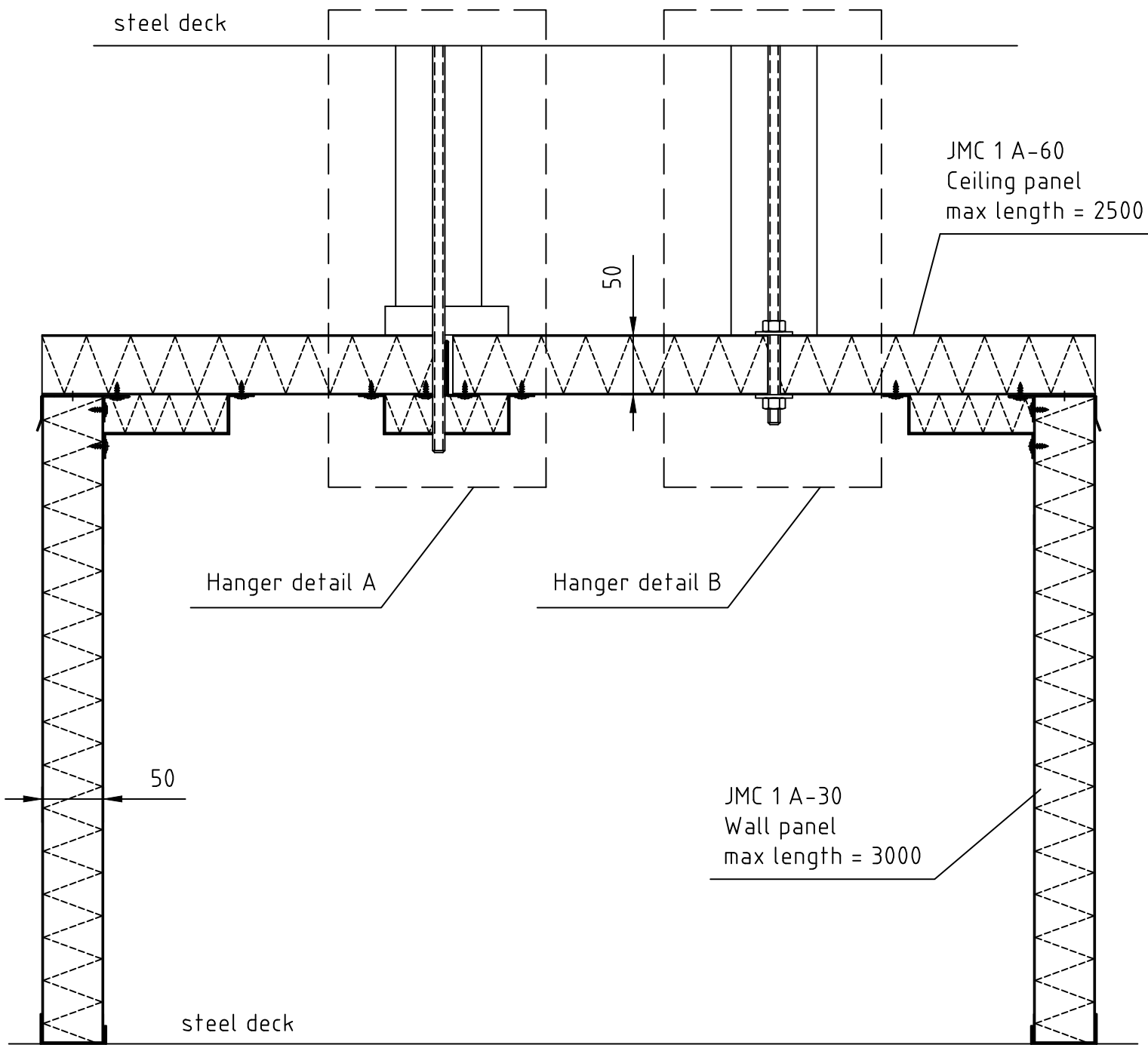


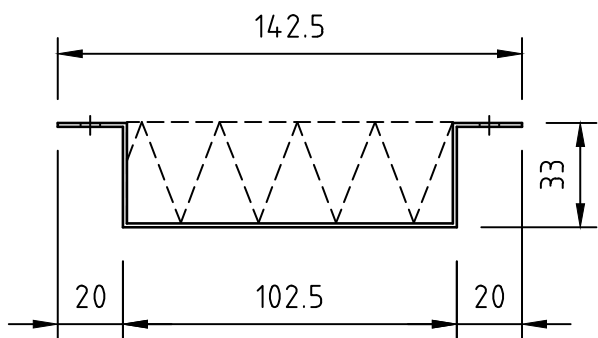
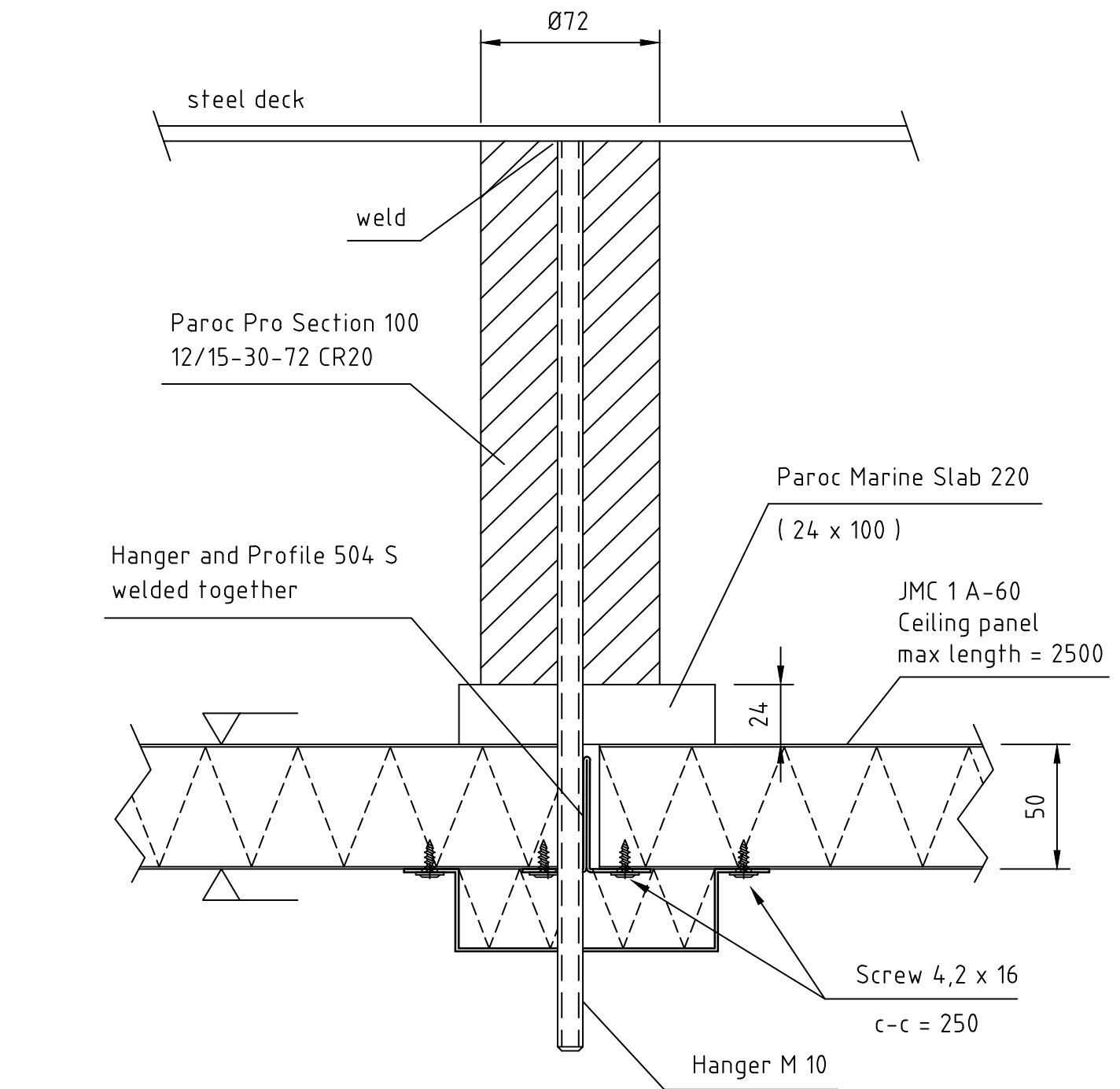
Wall corner detail in page 5

Section A - A in page 2  
 Section B - B in page 5  
 Section C - C in page 8  
 Corner detail in page 11

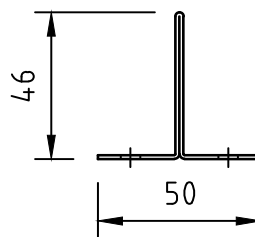


Hanger detail A in page 3

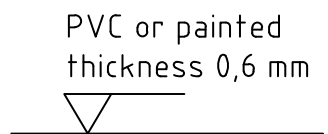
Hanger detail B in page 4

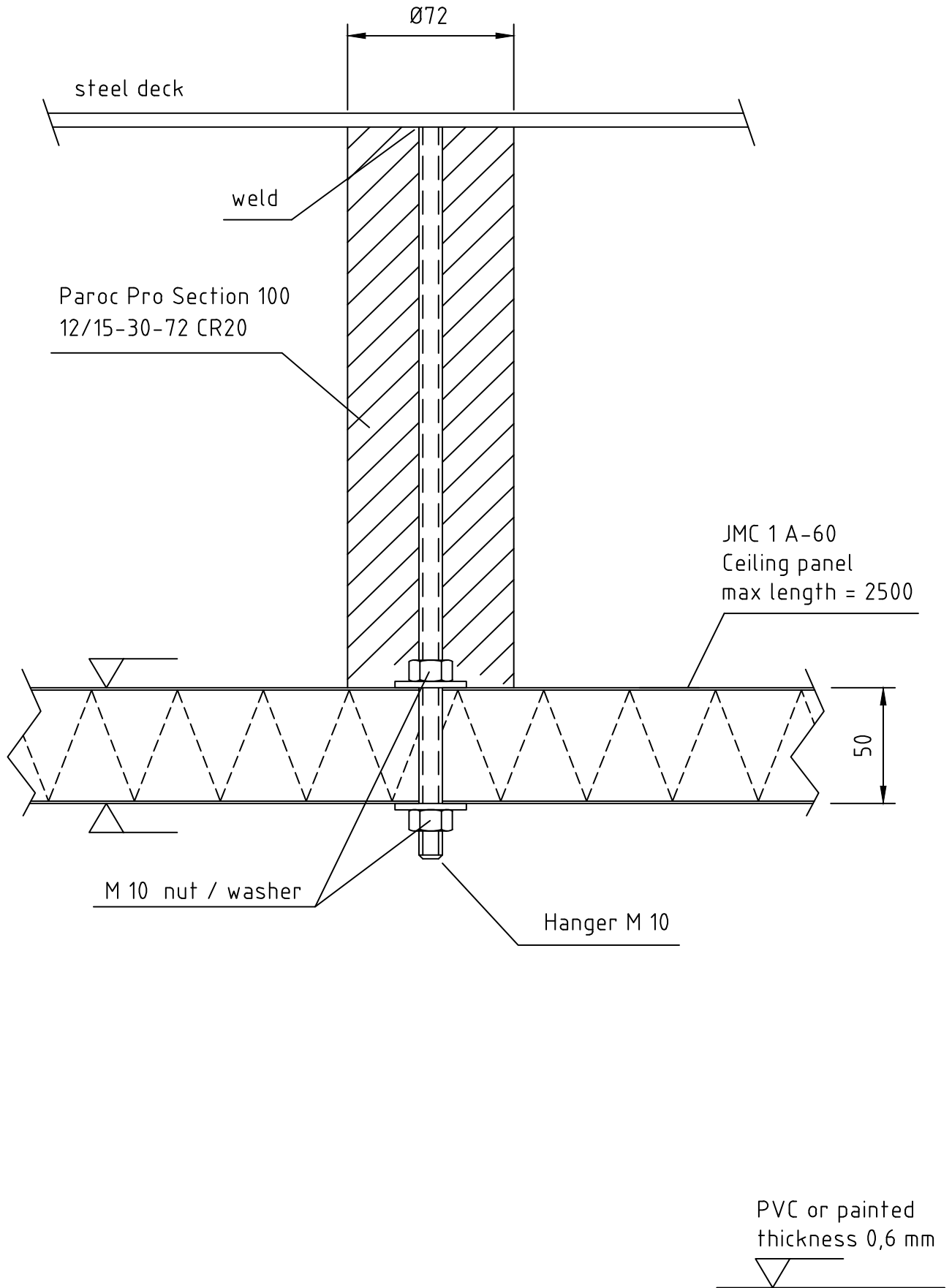


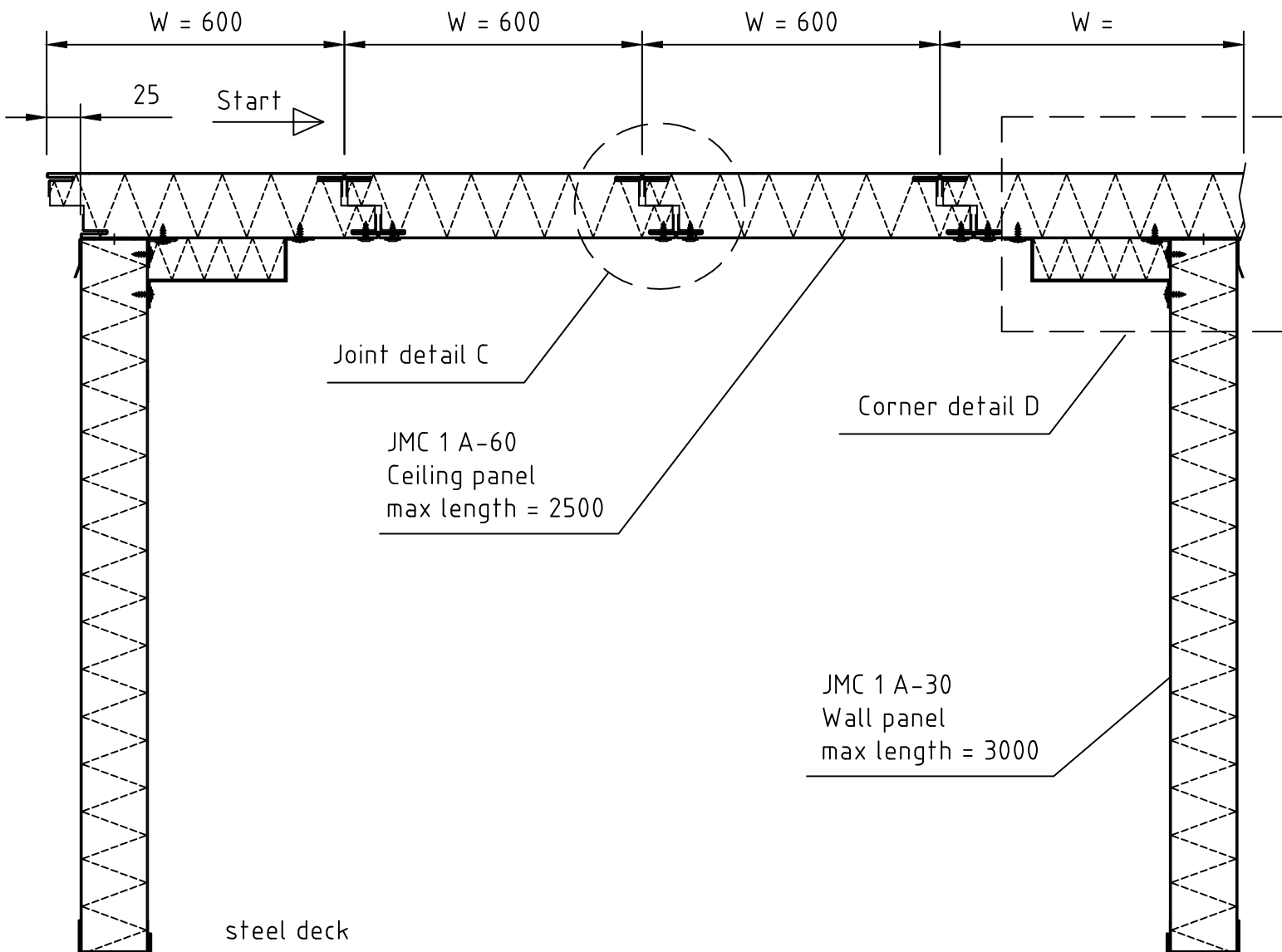
Joint cover profile  
steel 1,25 mm



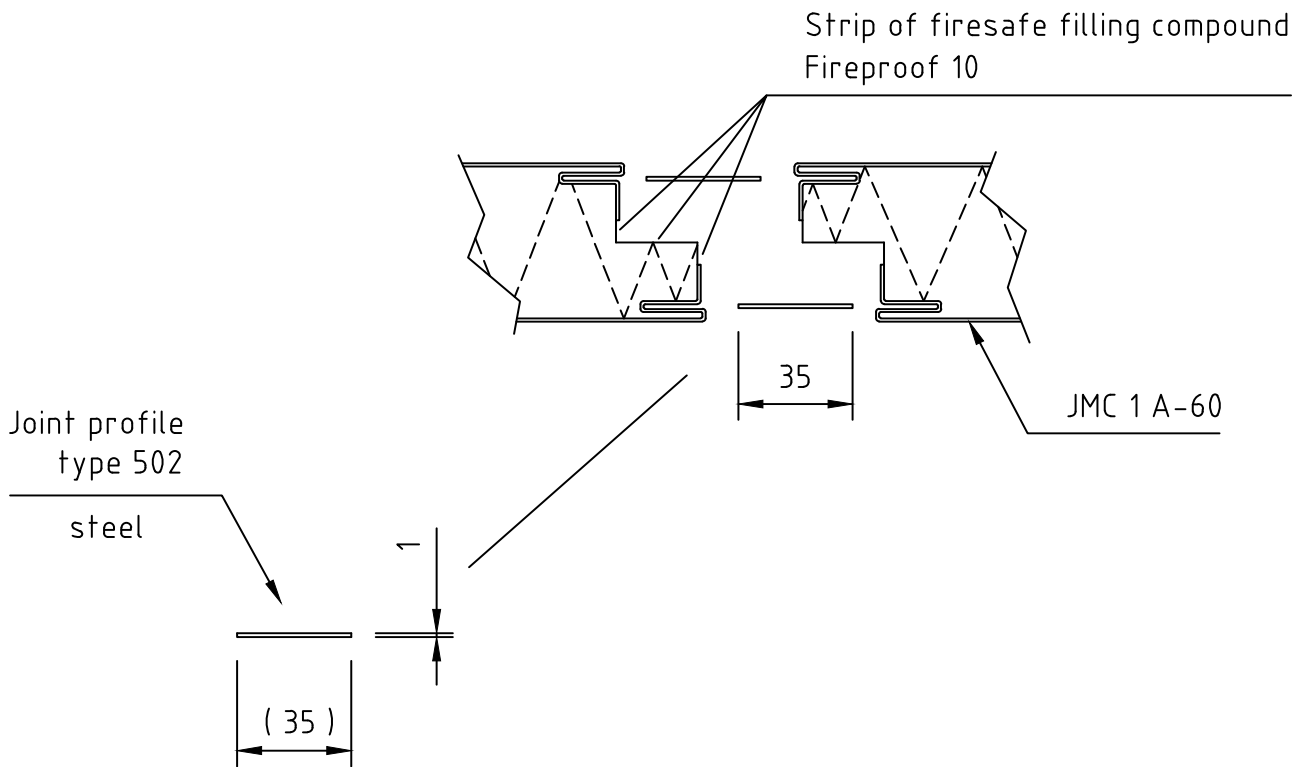
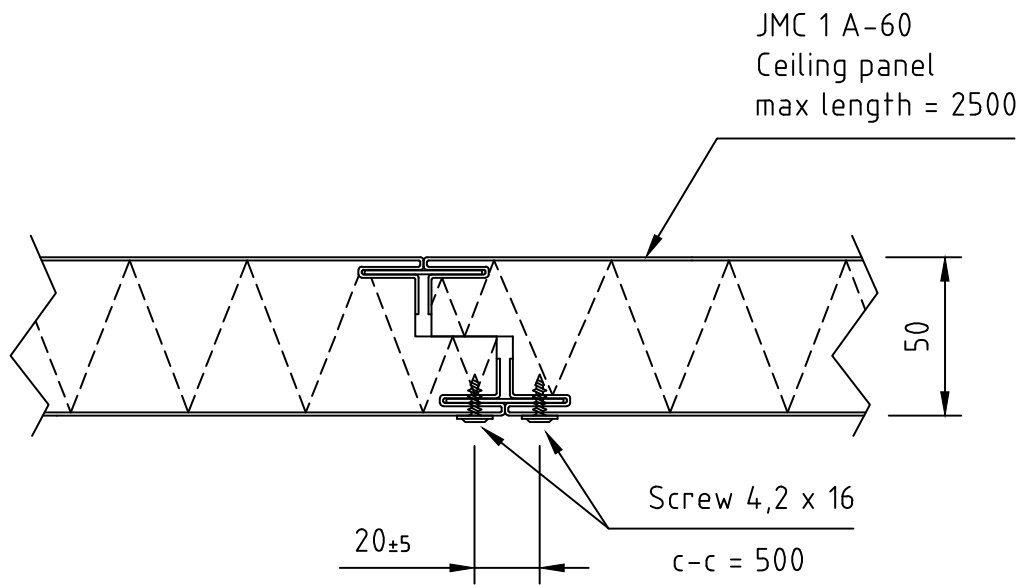
Profile 504 S  
steel 1,25 mm



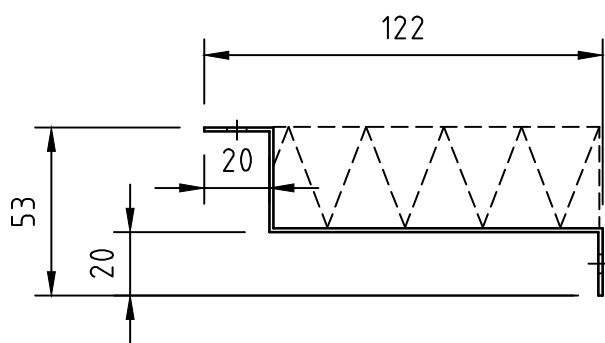
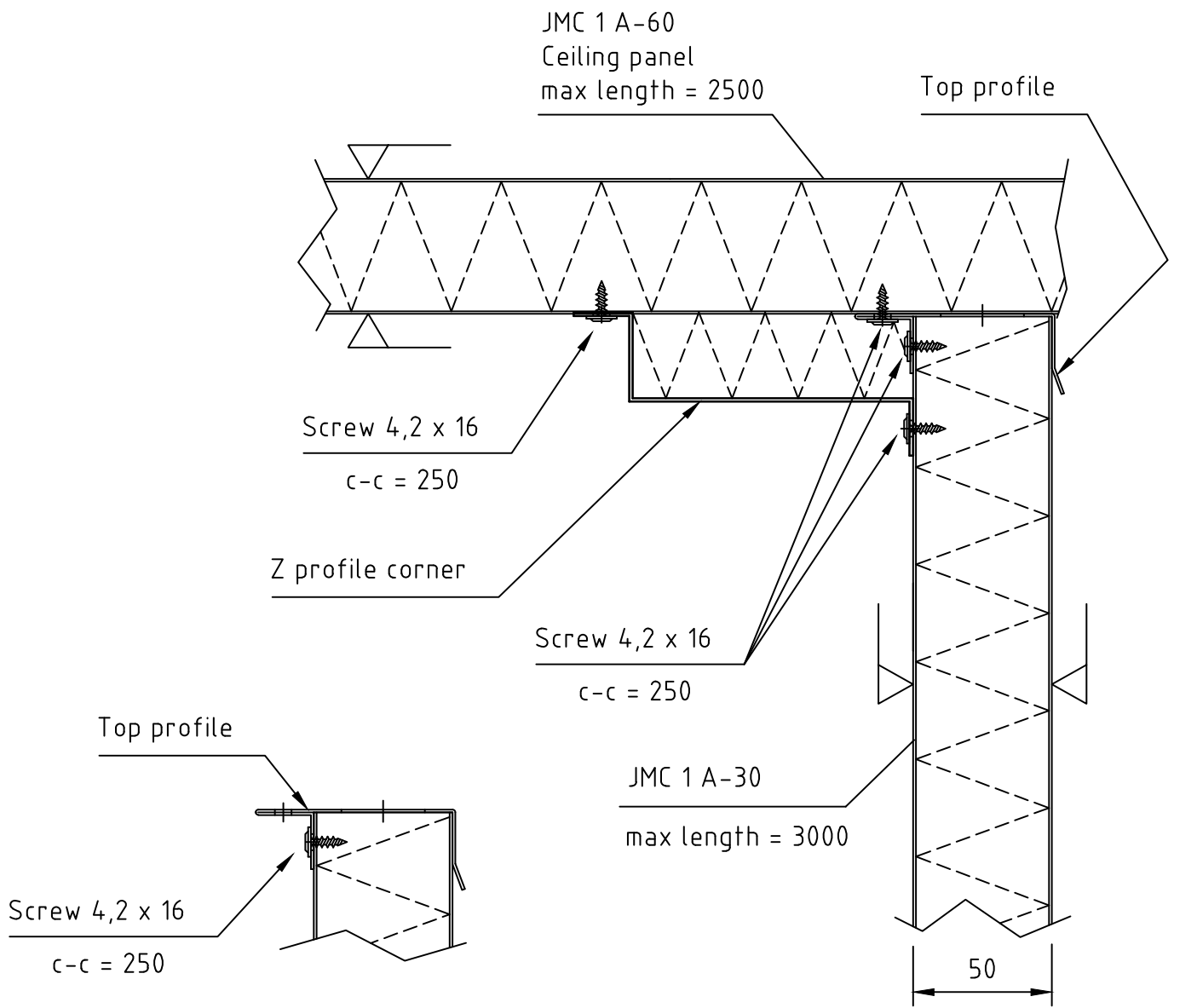




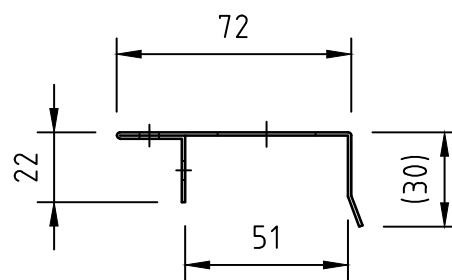
Joint detail C in page 6  
Corner detail D in page 7



PVC or painted  
thickness 0,6 mm

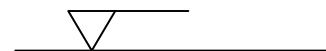


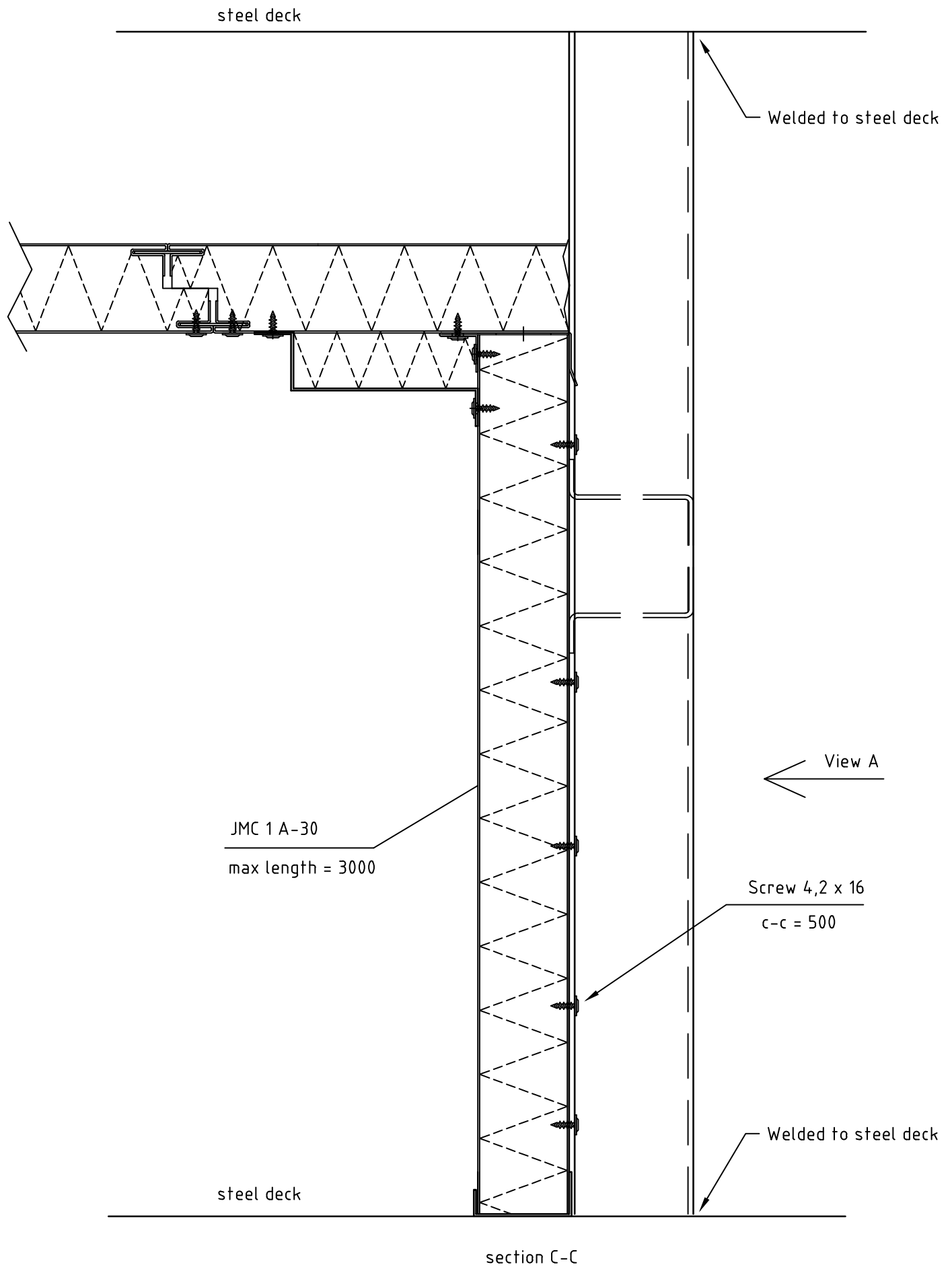
Z profile corner  
steel 1,25 mm



Top profile  
steel 1,25 mm

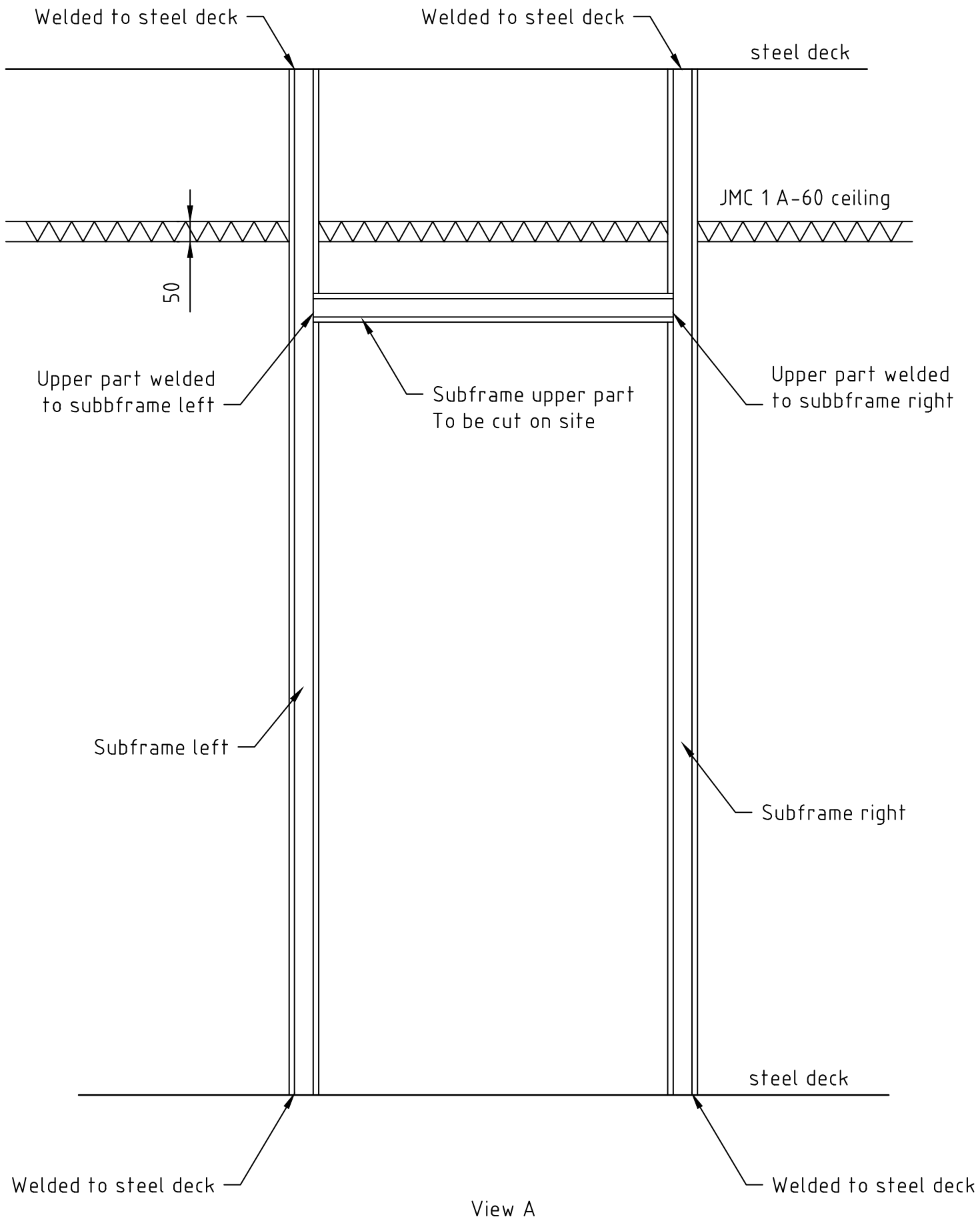
PVC or painted  
thickness 0,6 mm



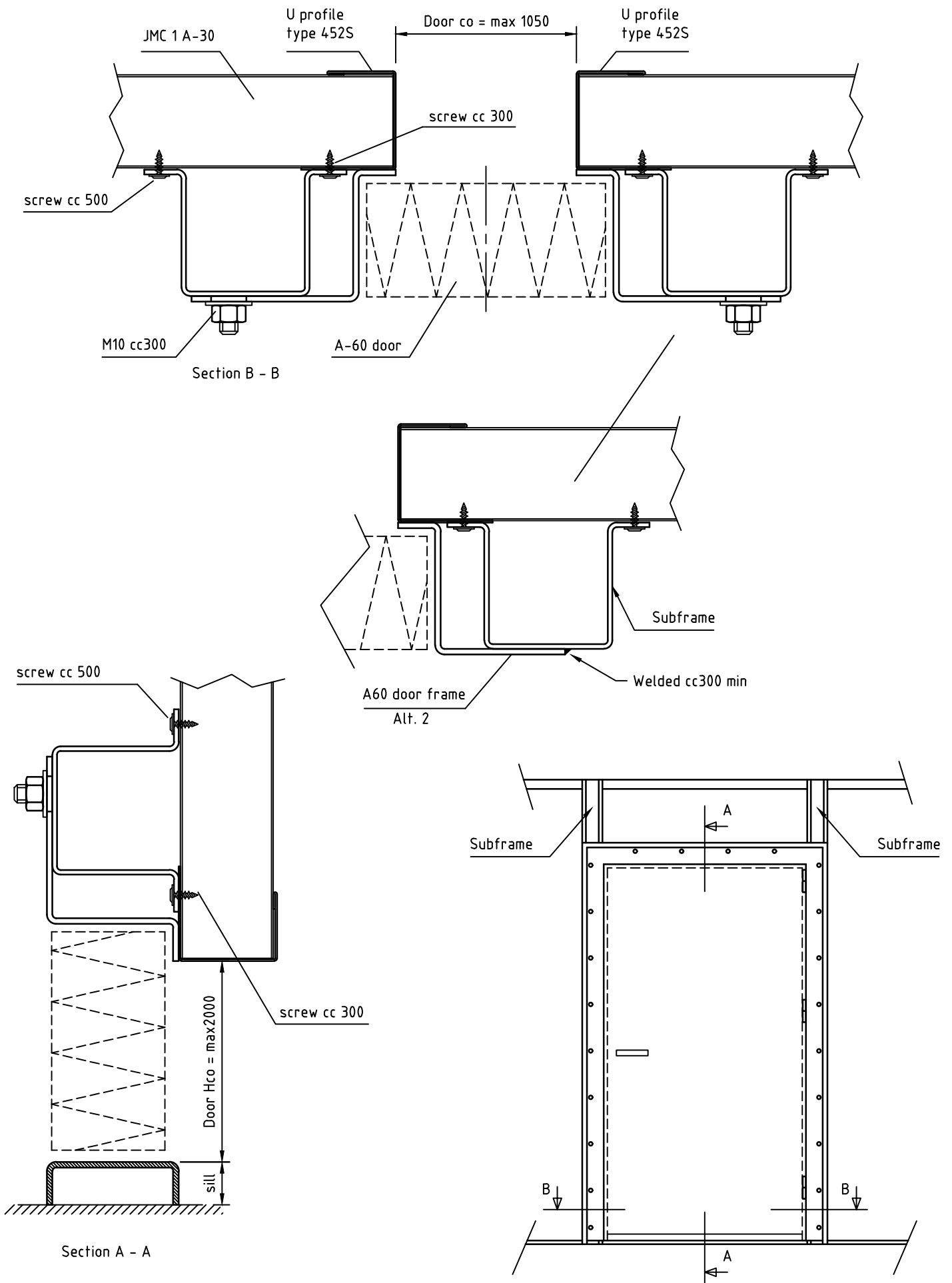


View A in page 9

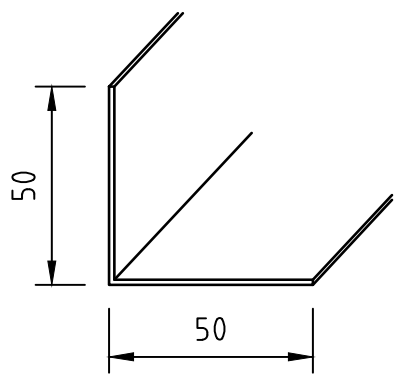
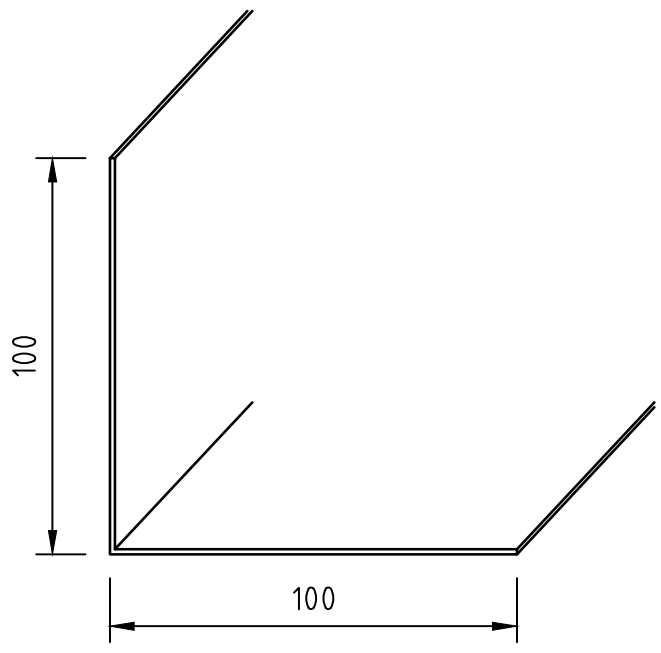
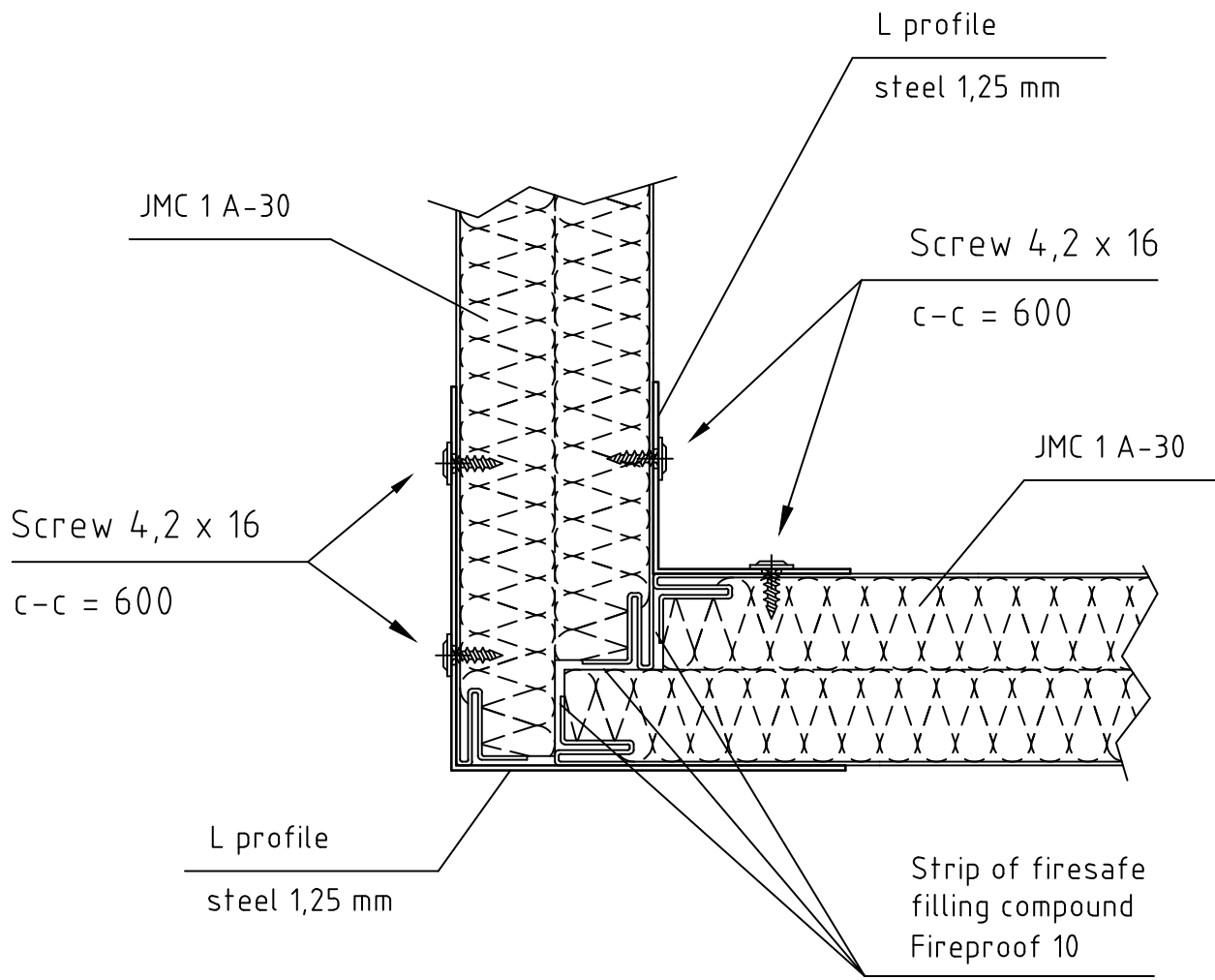




Instructions how to assembly A-60 Fire door in page 10



JMC A-30 Box  
 JMC 1 A-30  
 A-60 Door connection



L profile  
Galv 1,25 mm

L profile  
Galv 1,25 mm

PVC or painted  
thickness 0,6 mm