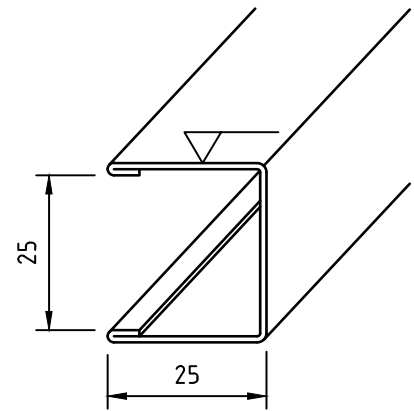
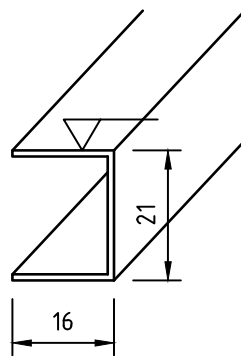


Top profile type 221  
Galv 1,0 mm

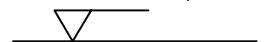


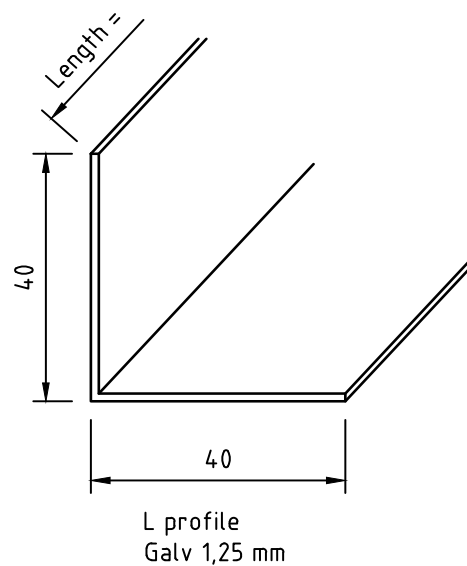
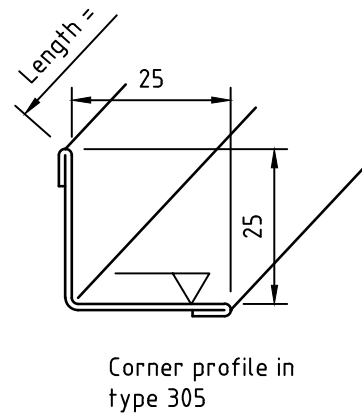
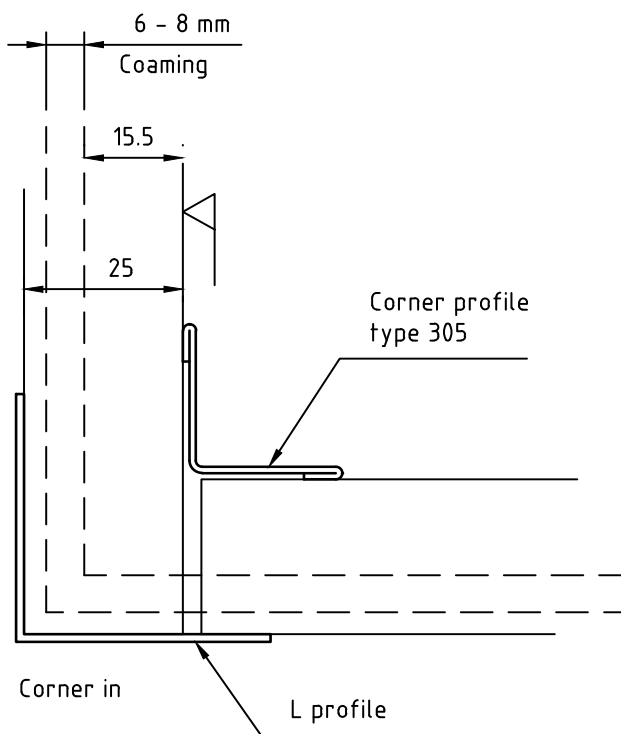
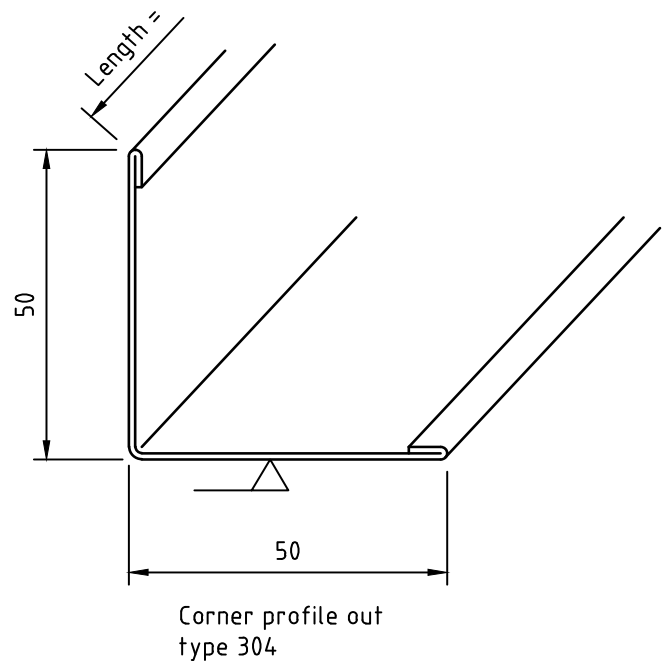
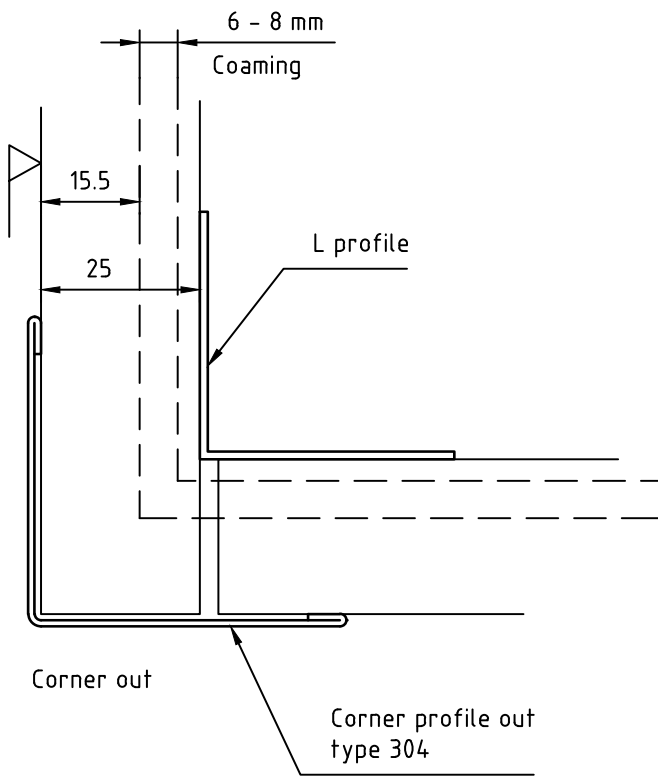
Connection profile type 422



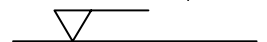
Connection profile type 421

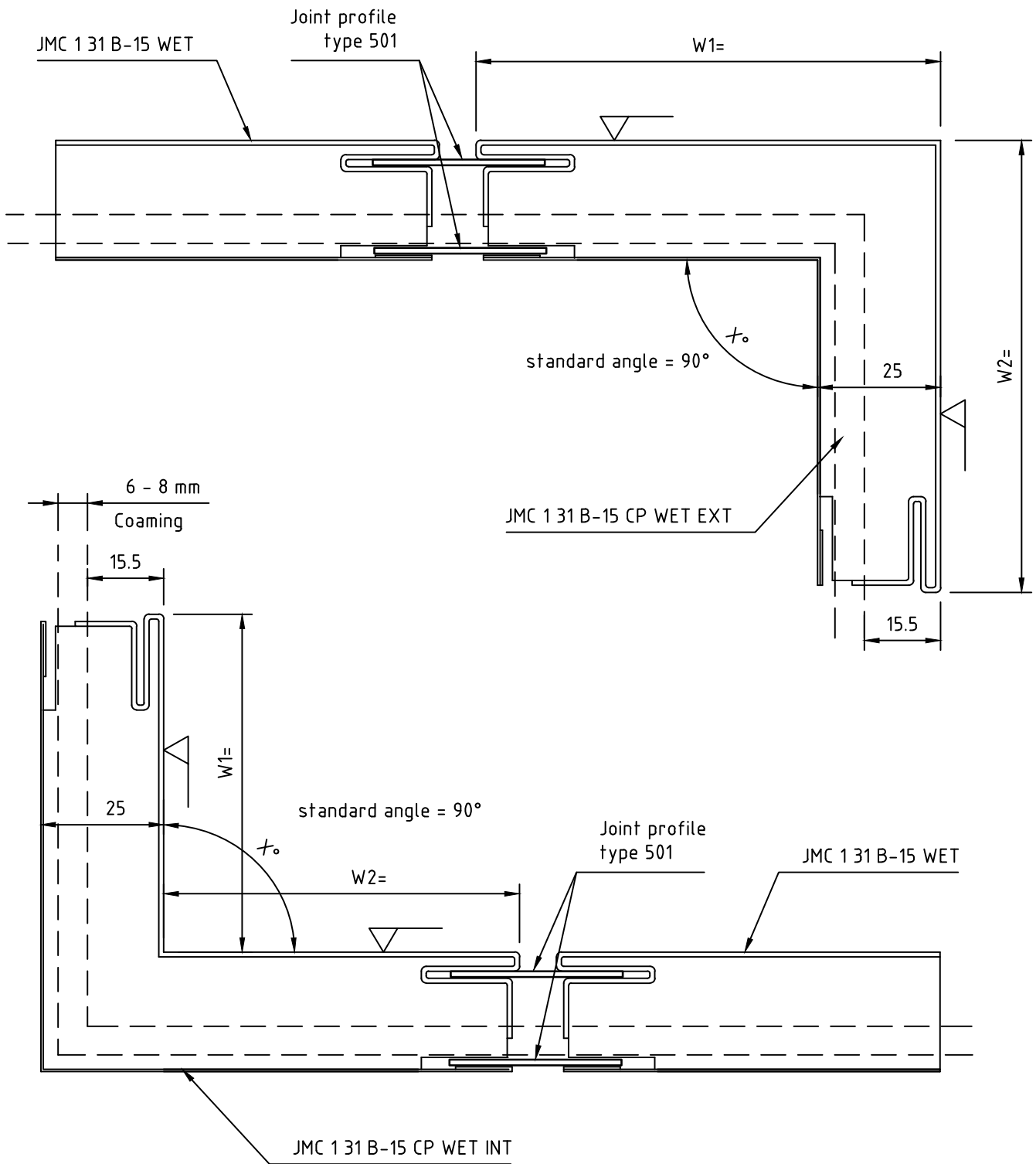
PVC or painted thickness 0,6 mm

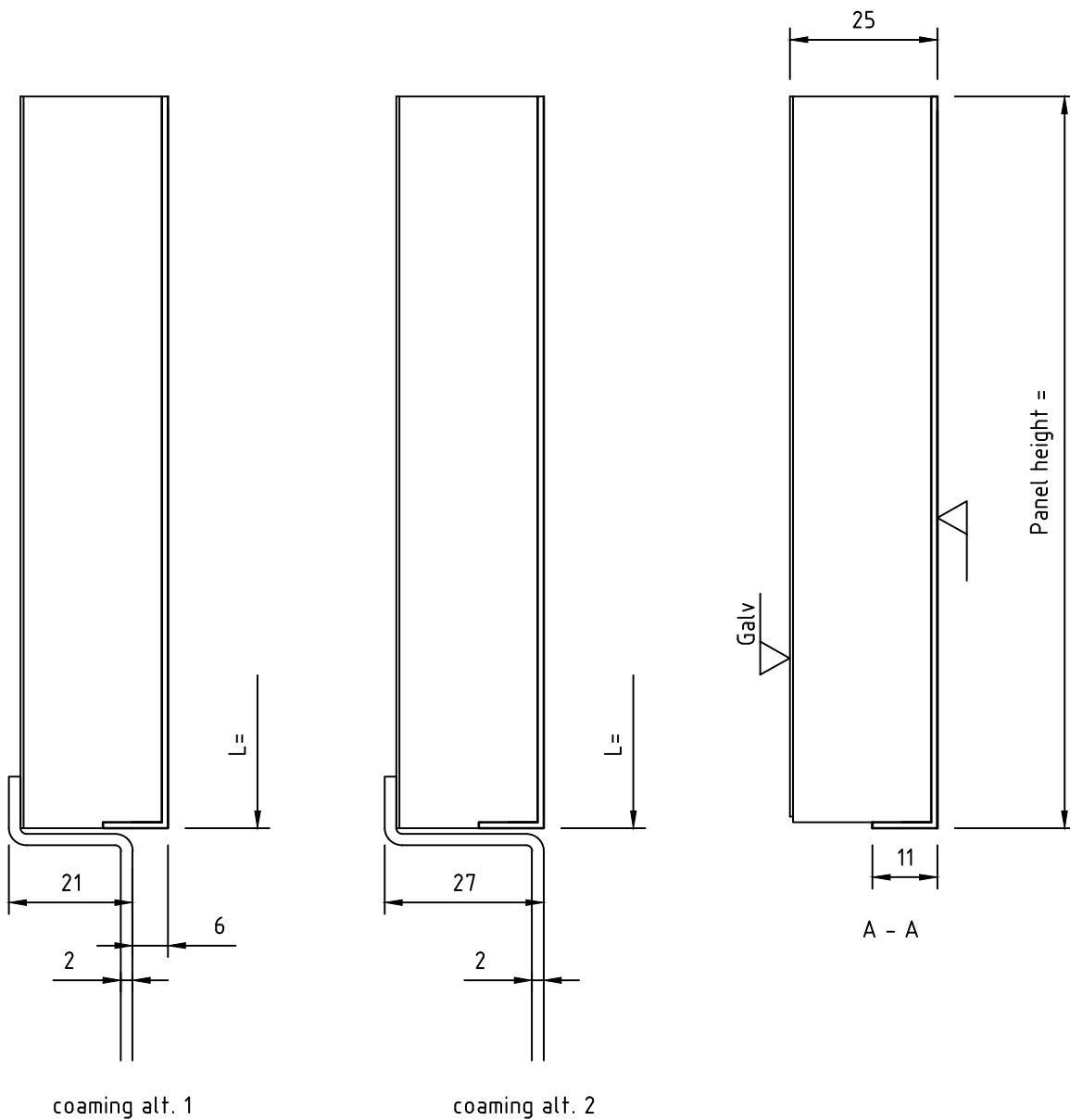
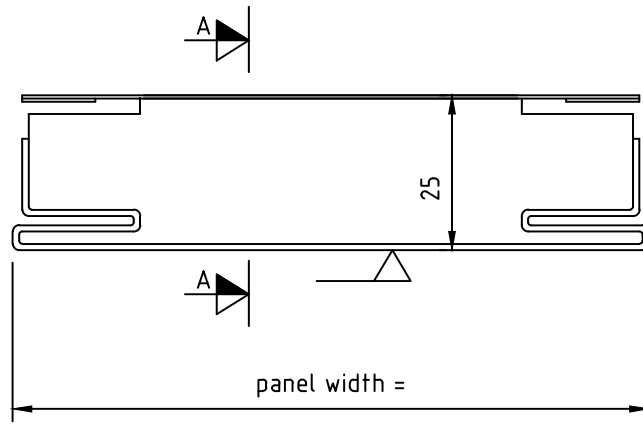




PVC or painted thickness 0,6 mm

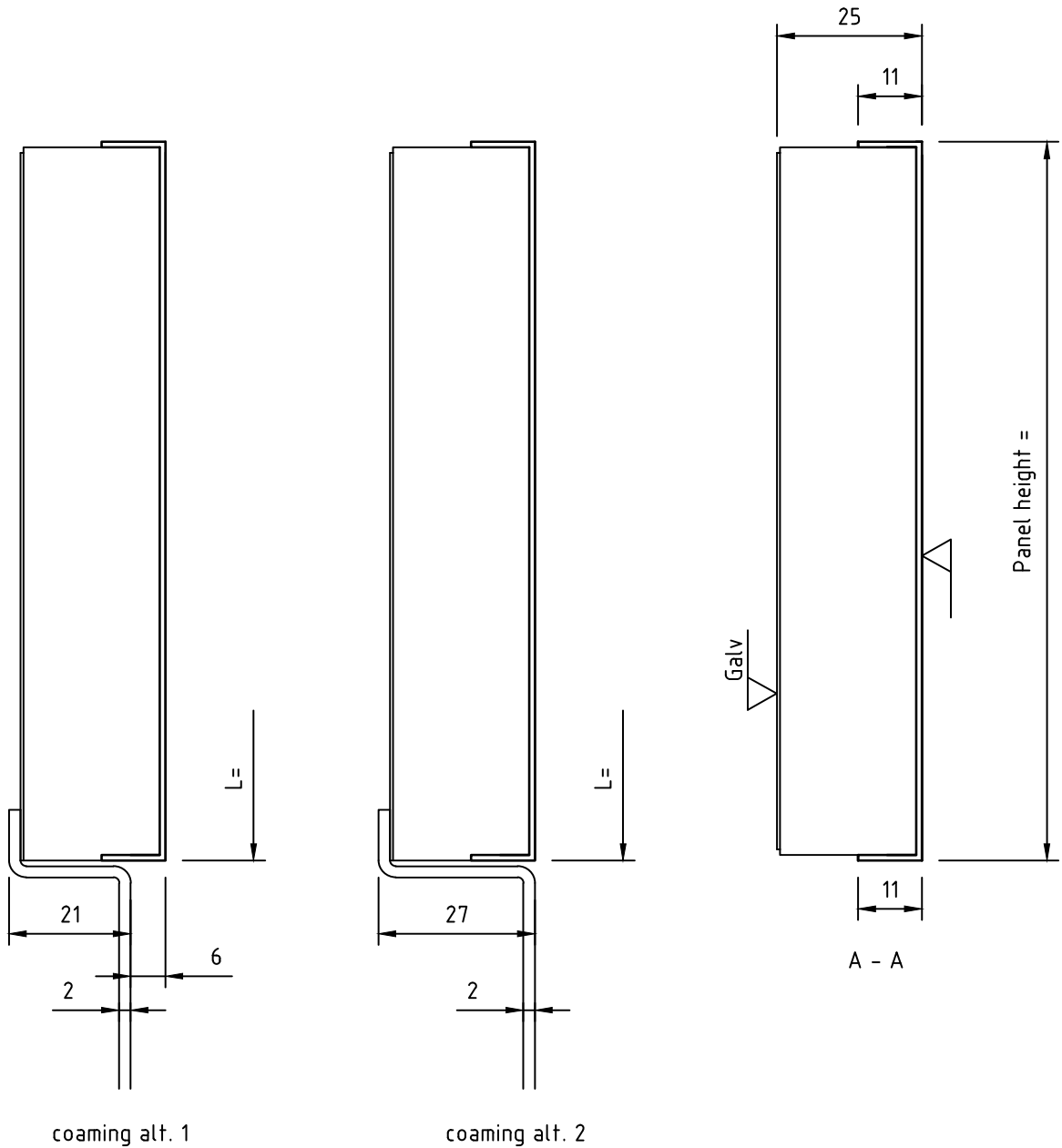
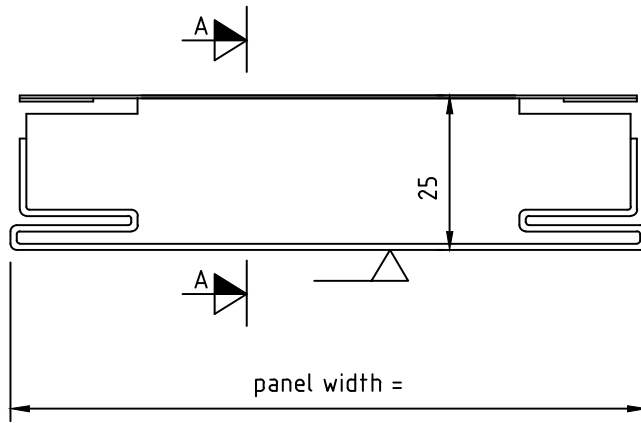






PVC or painted  
thickness 0,6 mm





PVC or painted  
thickness 0,6 mm



**JMC 1 31 B-15 WET**  
End bended  
In both ends

**SBA INTERIOR**

**Page**  
**5**