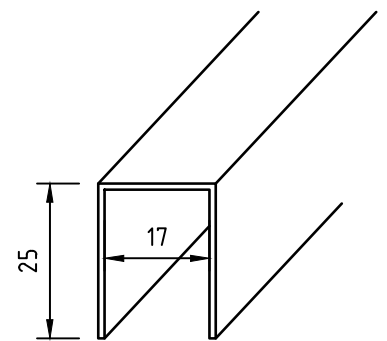
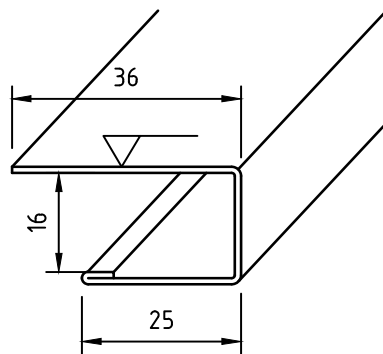


Connection profile type 411



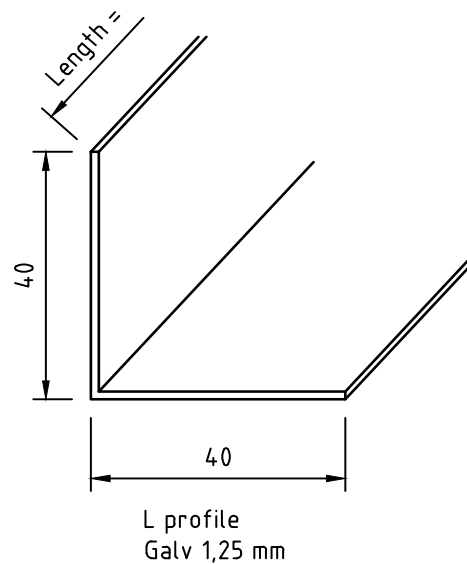
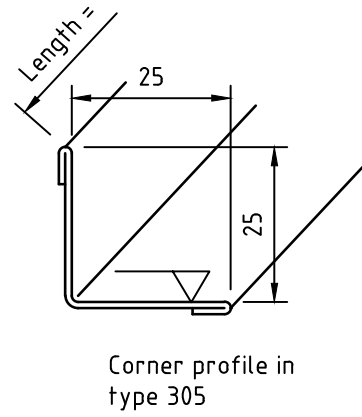
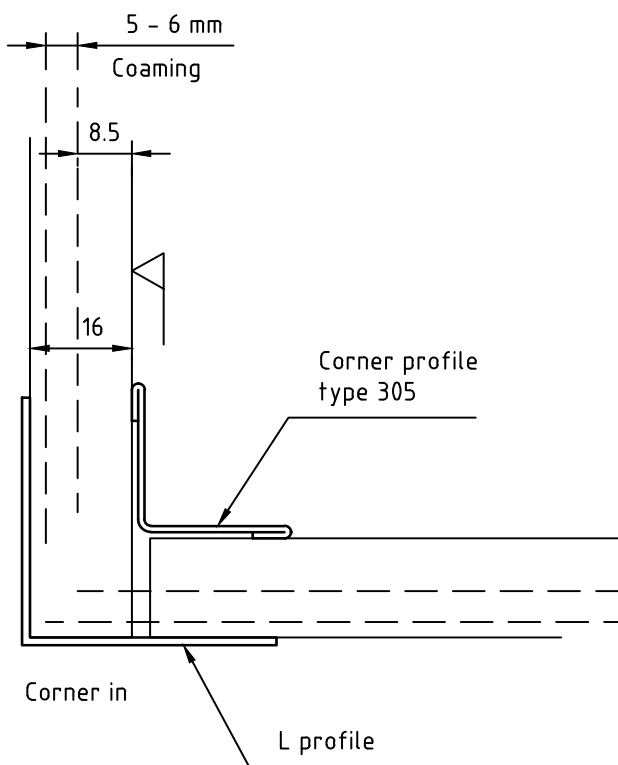
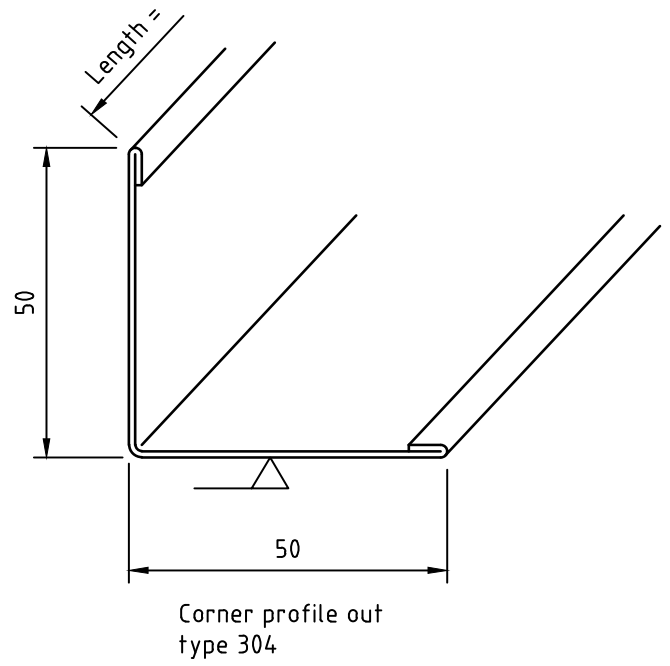
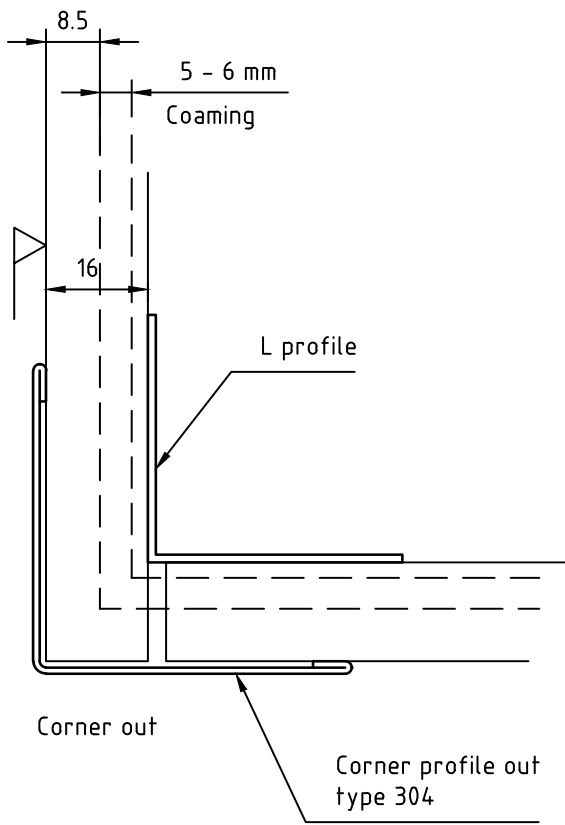
Top profile type 211  
Galv 1,0 mm



Connection profile type 412

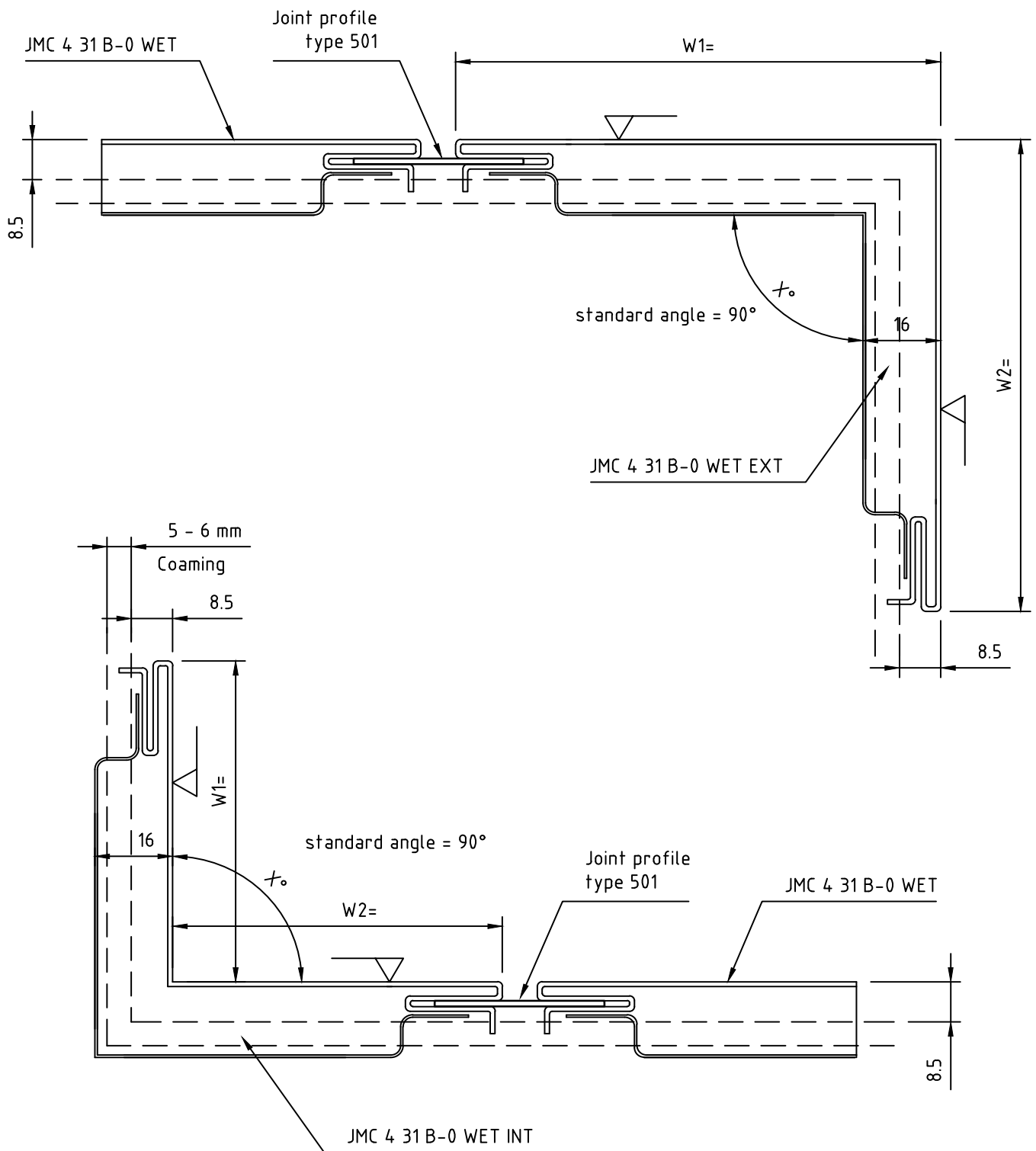
PVC or painted  
thickness 0,6 mm

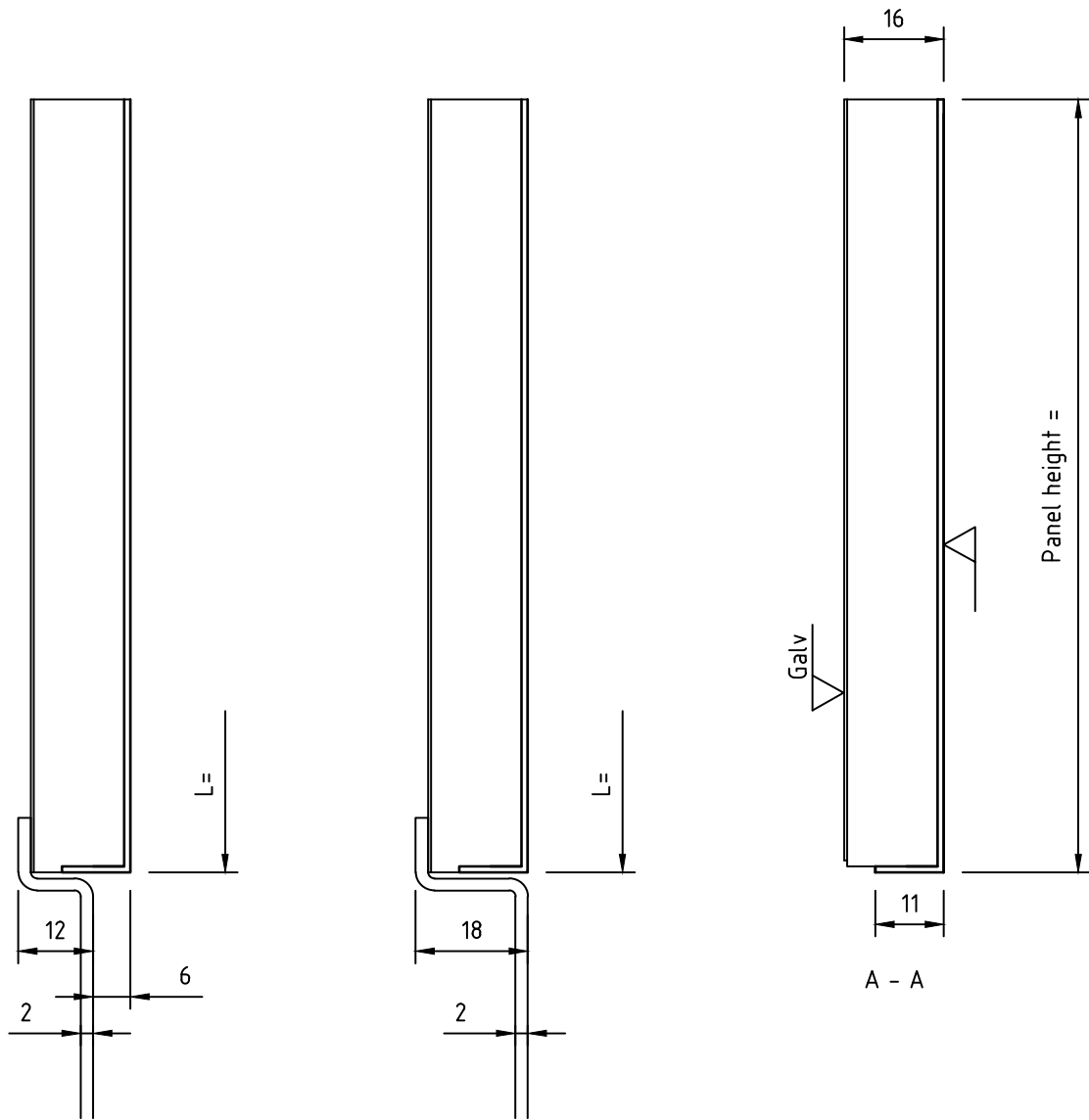
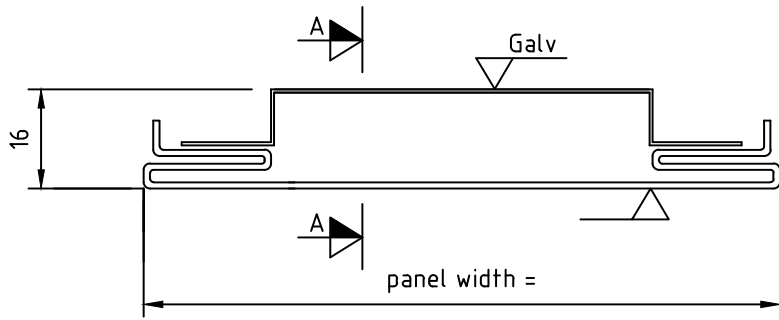




PVC or painted  
thickness 0,6 mm





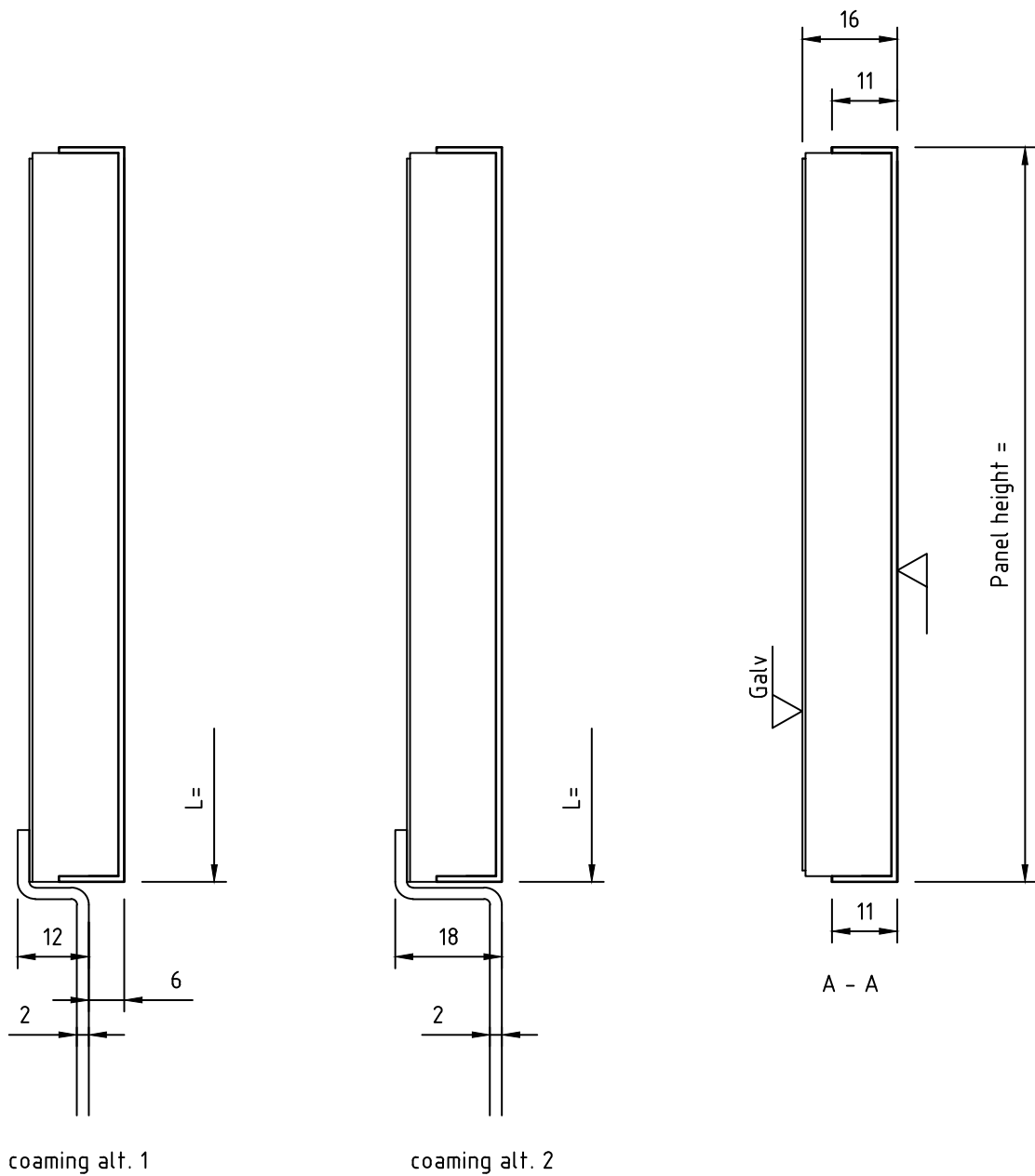
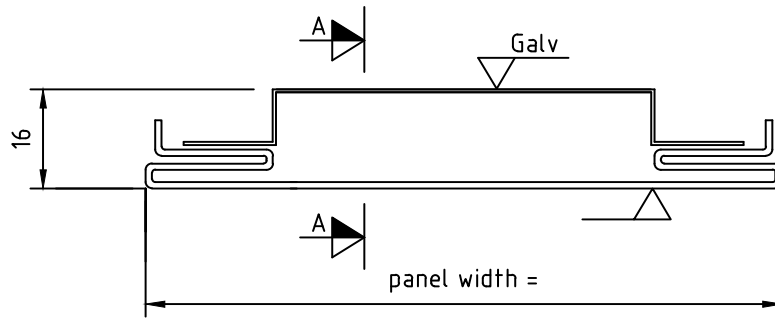


coaming alt. 1

coaming alt. 2

PVC or painted  
thickness 0,6 mm





PVC or painted  
thickness 0,6 mm



**JMC 4 31 B-0 WET**  
End bended  
In both ends

**SBA INTERIOR**

**Page**  
**5**