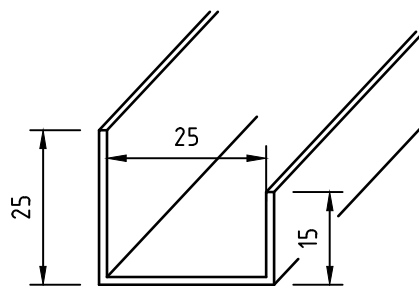
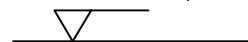


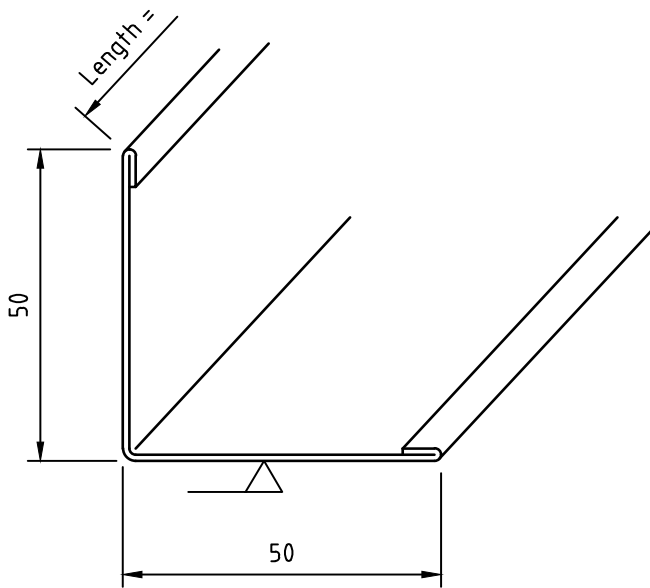
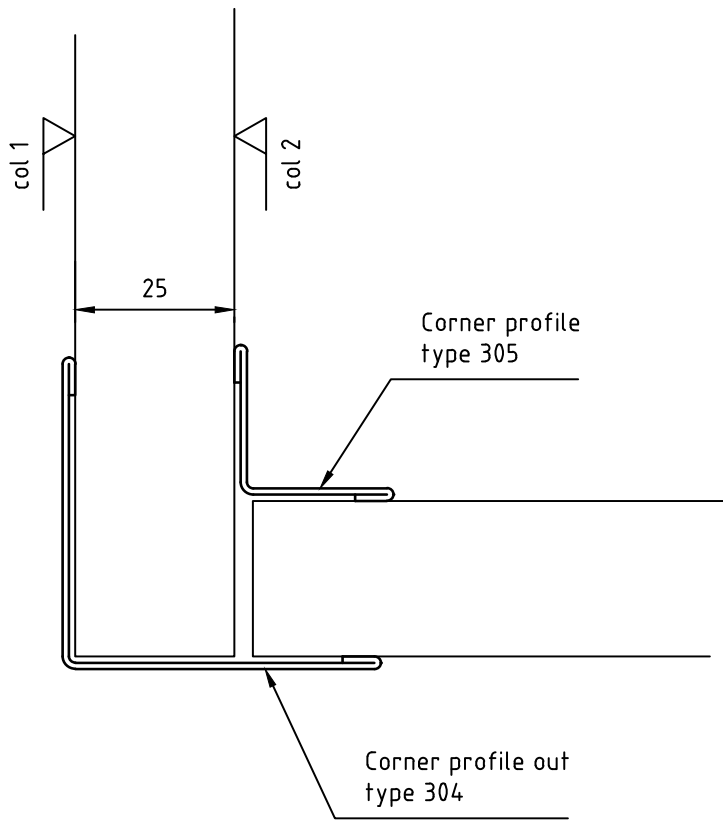
Top profile
type 221
Galv 1,0 mm



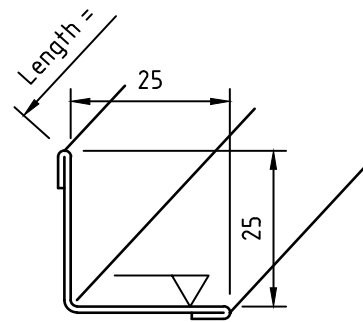
Bottom profile
type 121
Galv 1,25 mm

PVC or painted
thickness 0,6 mm



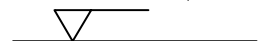


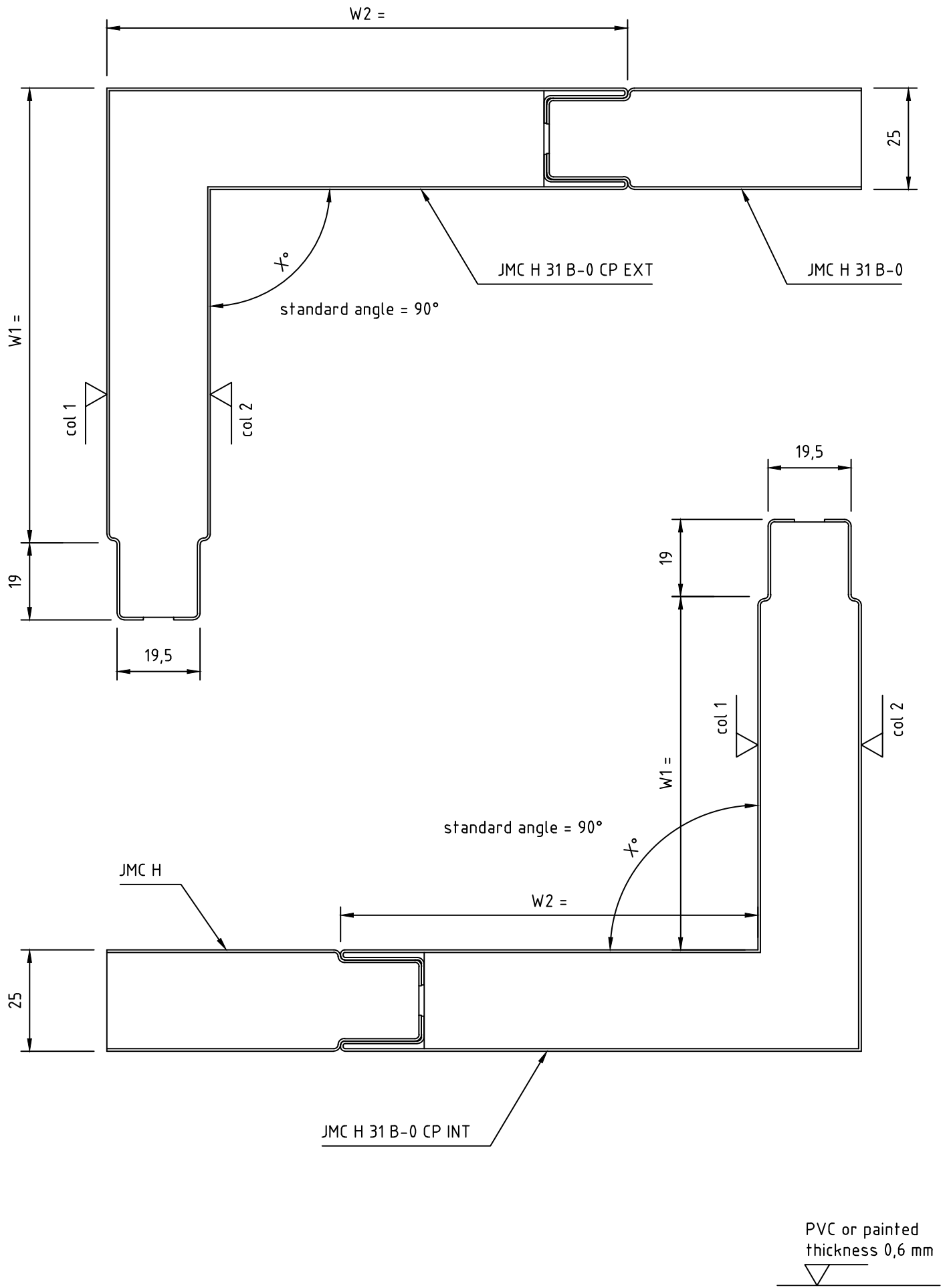
Corner profile out
type 304

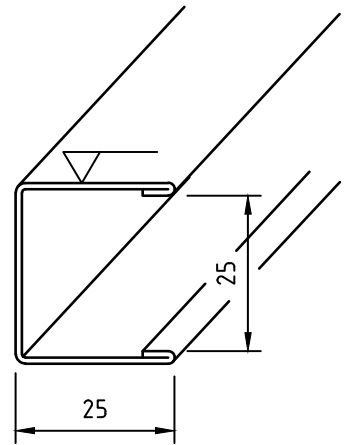
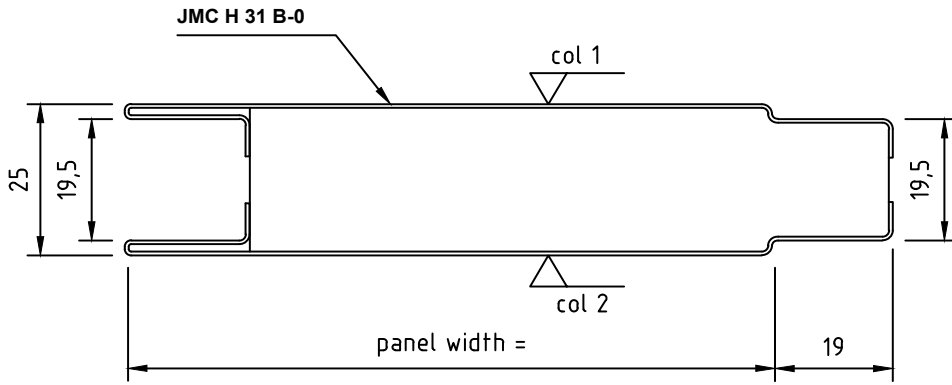


Corner profile in
type 305

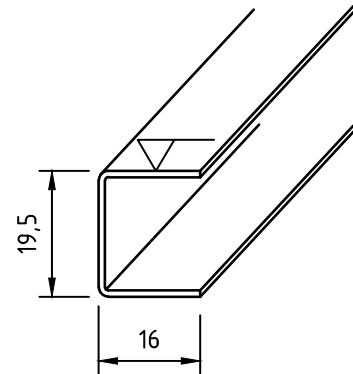
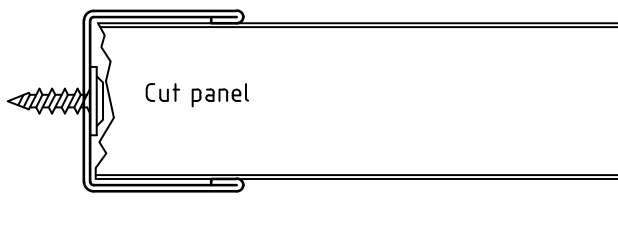
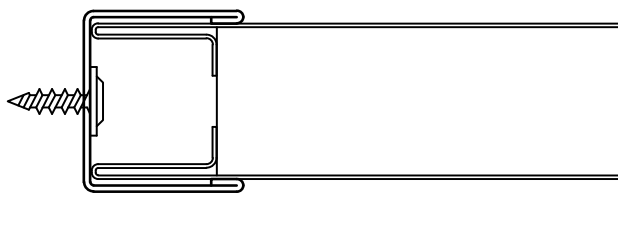
PVC or painted
thickness 0,6 mm



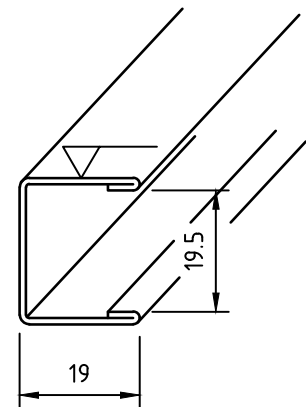
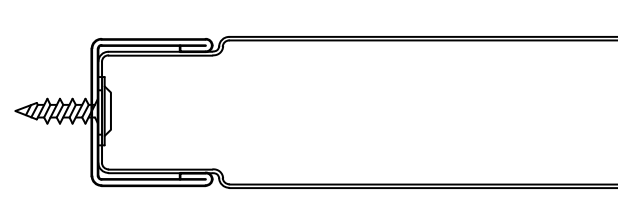
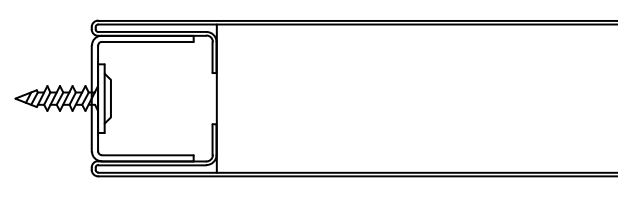




Connection profile
type 422



Connection U profile
type 424



Connection profile
type 425

PVC or painted
thickness 0,6 mm

