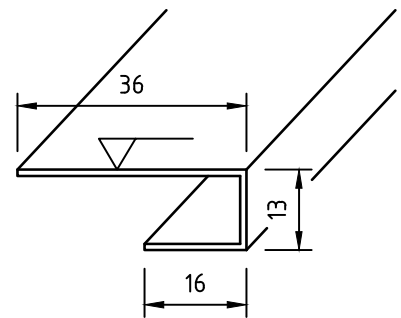
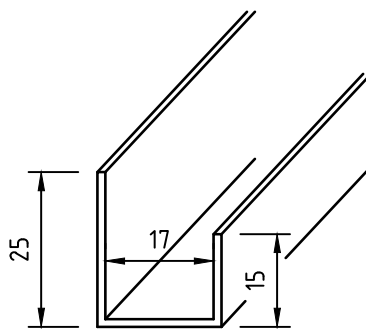


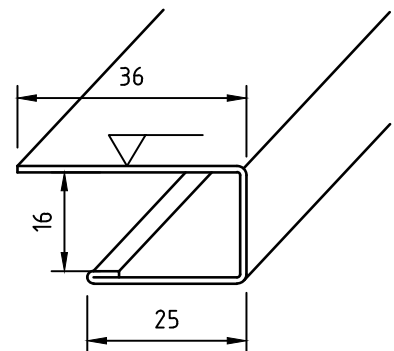
Top profile  
type 211  
Galv 1,0 mm



Connection profile  
type 411

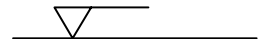


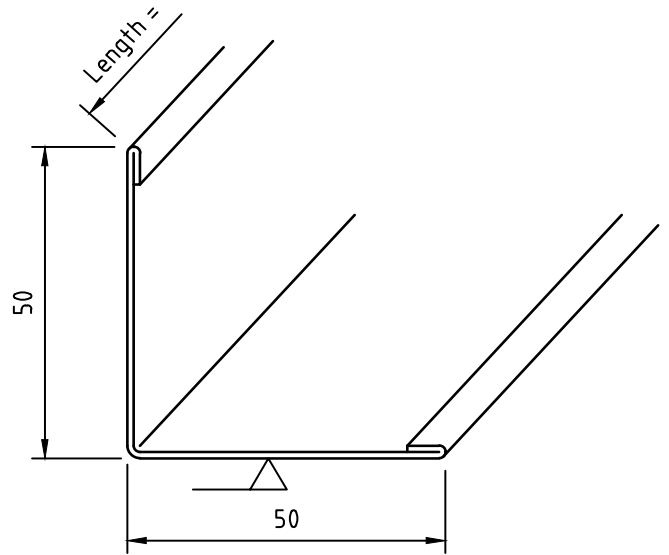
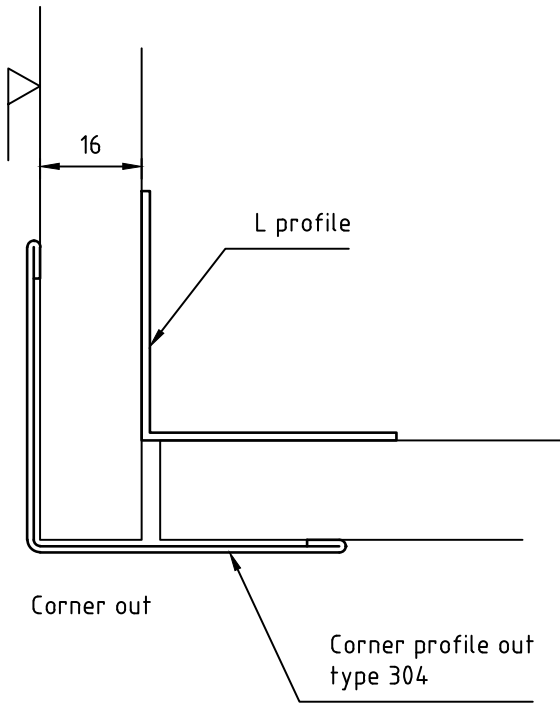
Bottom profile  
type 111  
Galv 1,25 mm



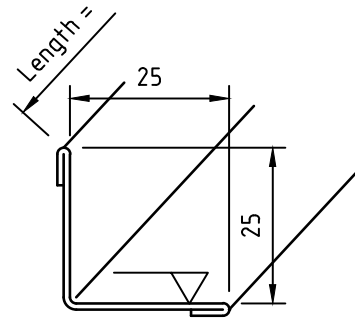
Connection profile  
type 412

PVC or painted  
thickness 0,6 mm

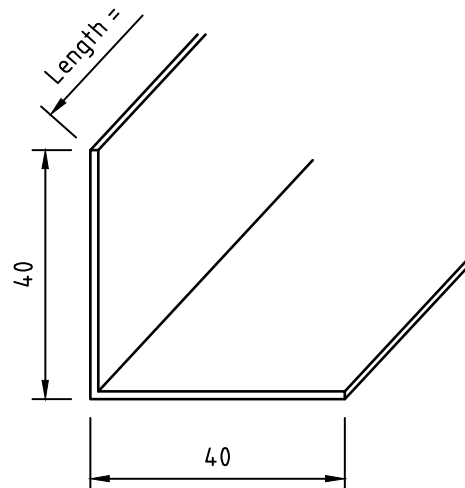
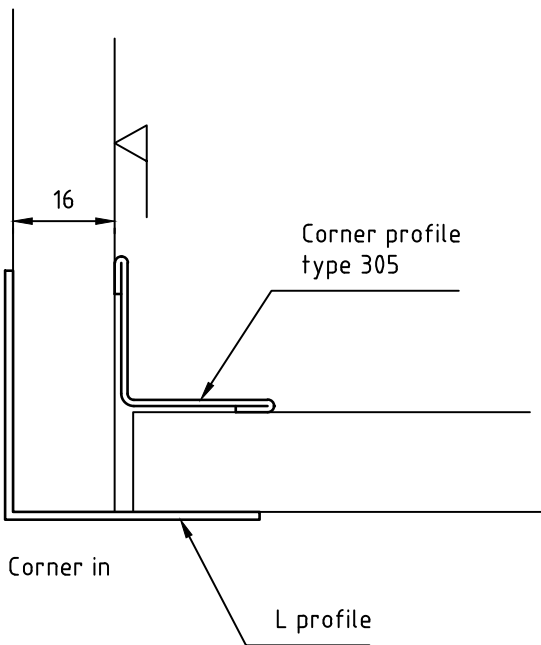




Corner profile out type 304

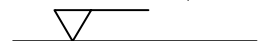


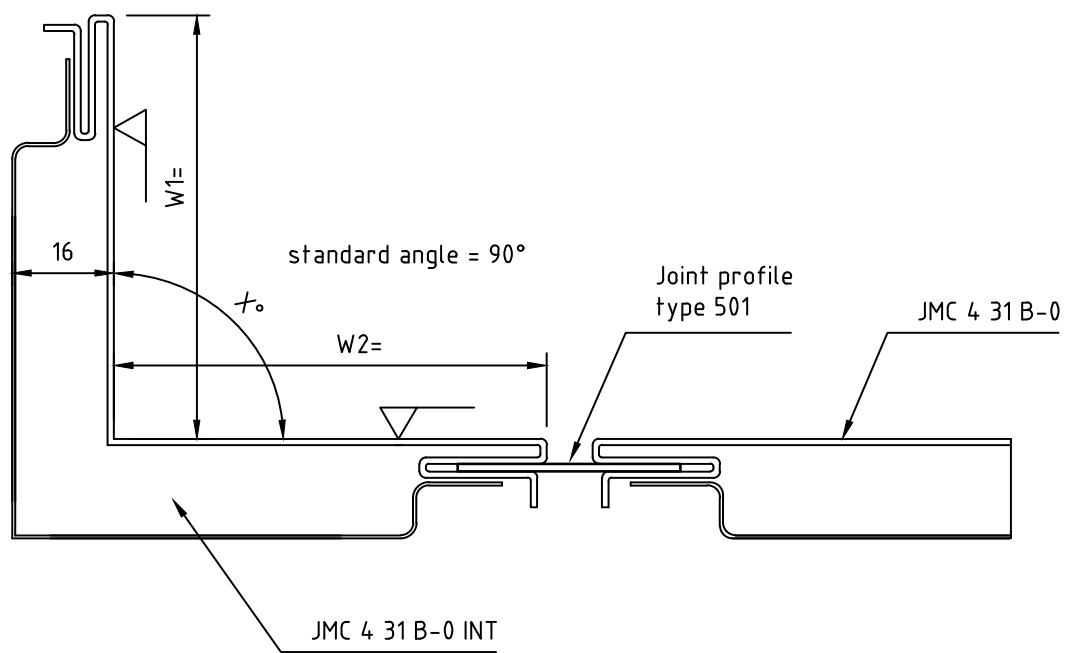
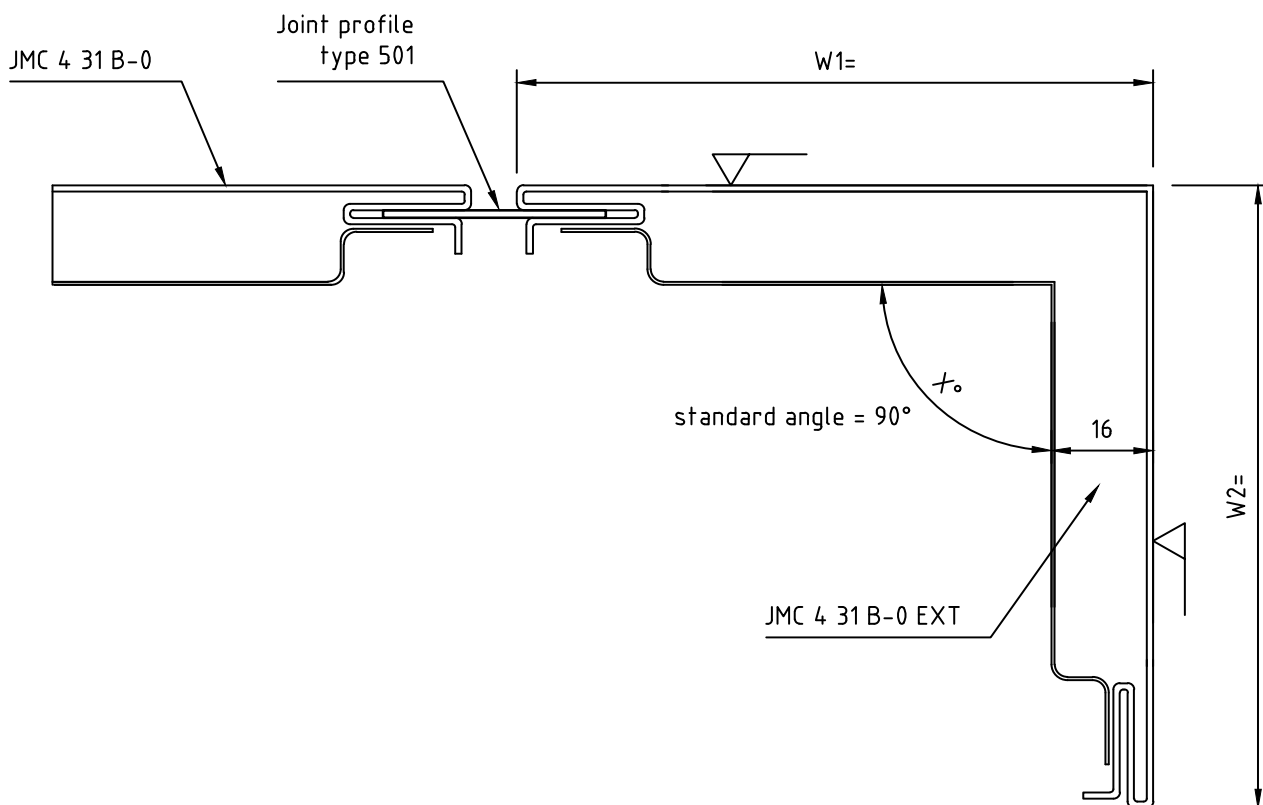
Corner profile in type 305



L profile Galv 1,25 mm

PVC or painted thickness 0,6 mm





PVC or painted  
thickness 0,6 mm