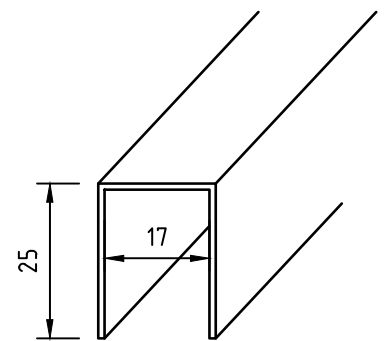
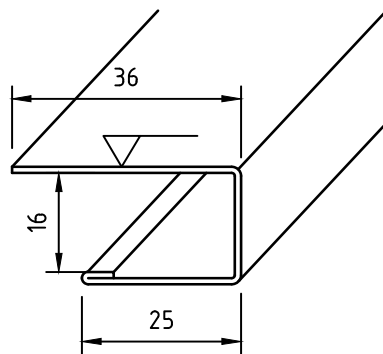


Connection profile type 411

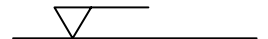


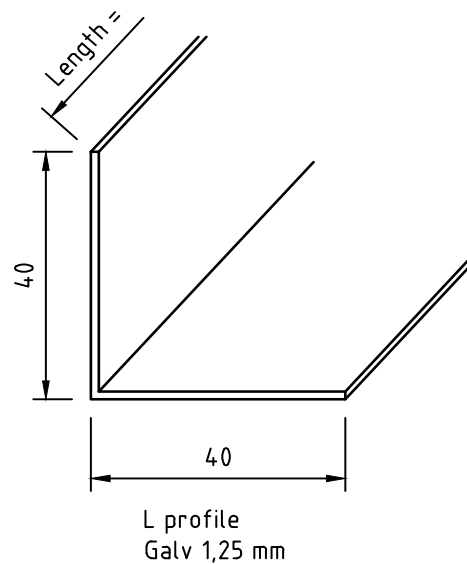
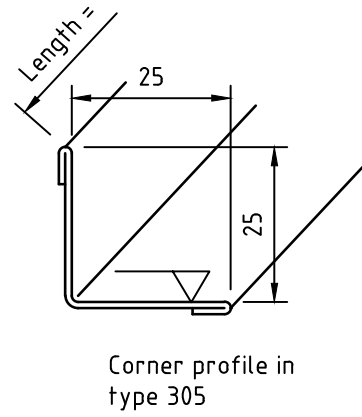
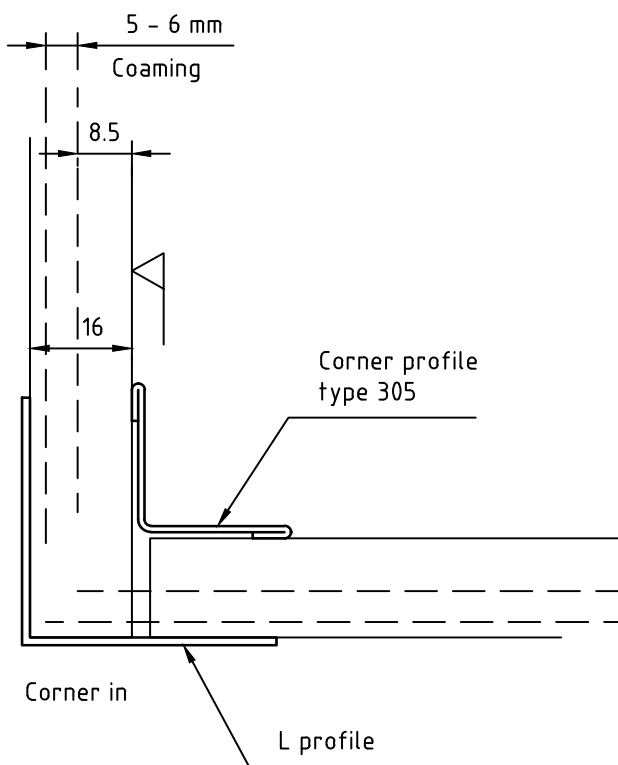
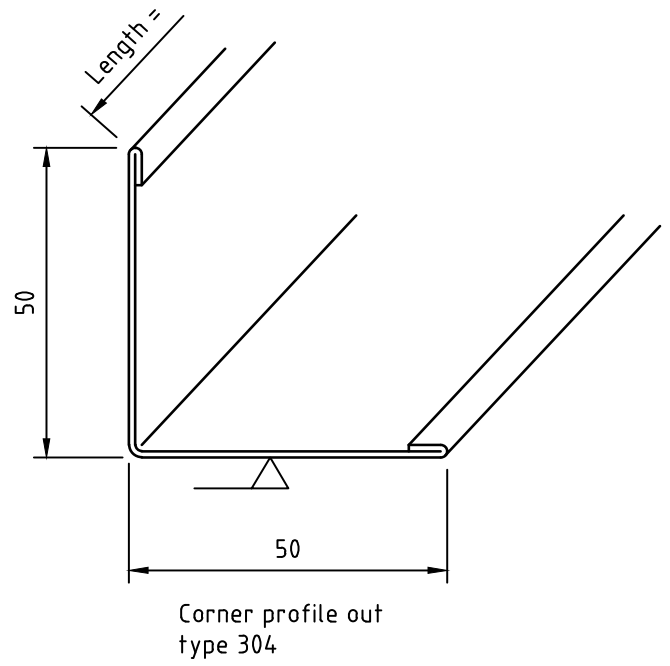
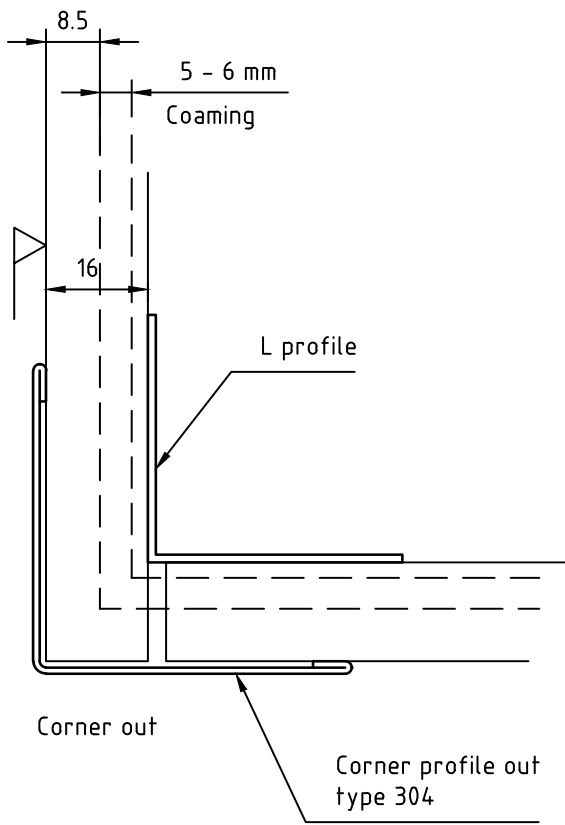
Top profile type 211
Galv 1,0 mm



Connection profile type 412

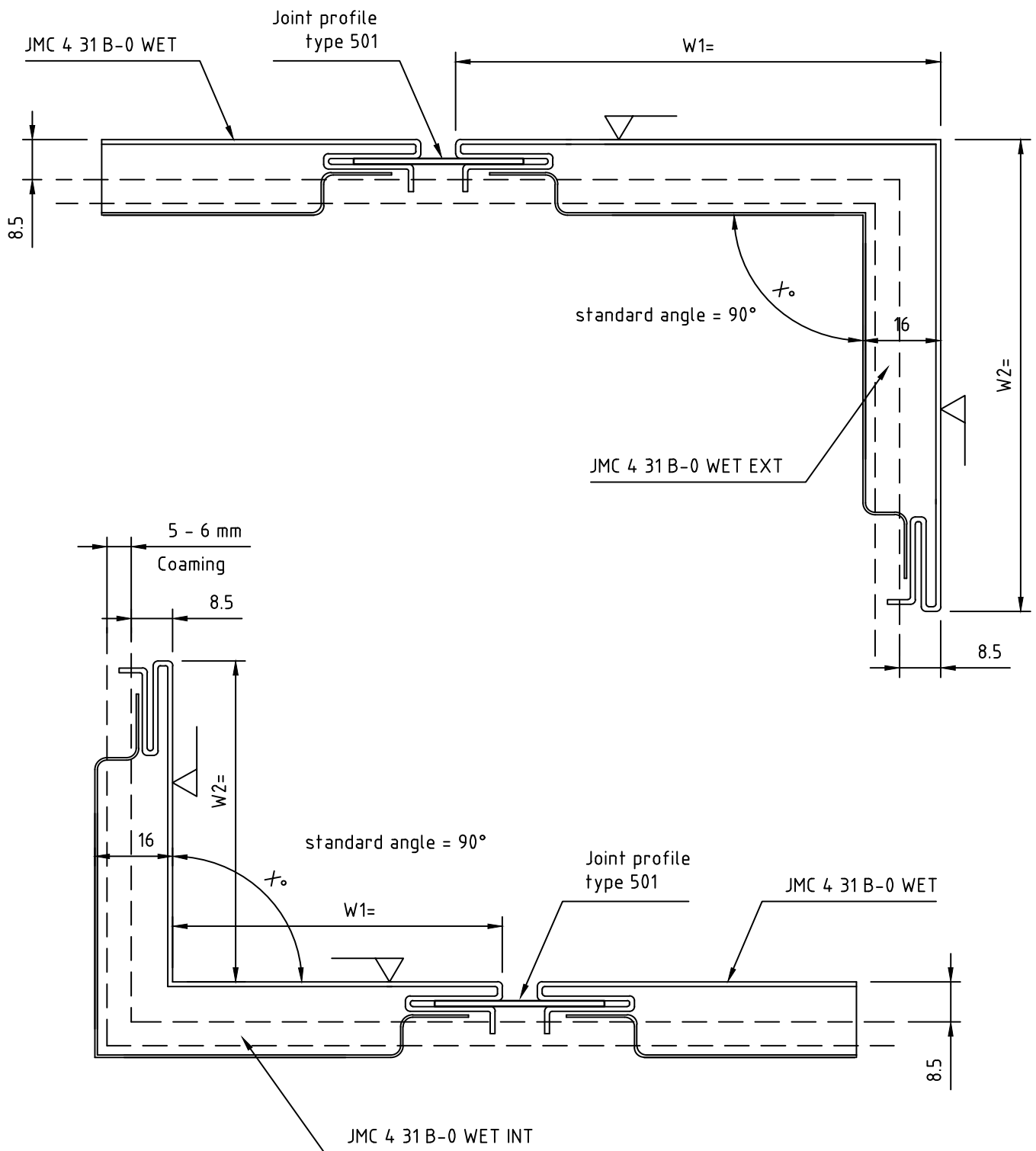
PVC or painted
thickness 0,6 mm

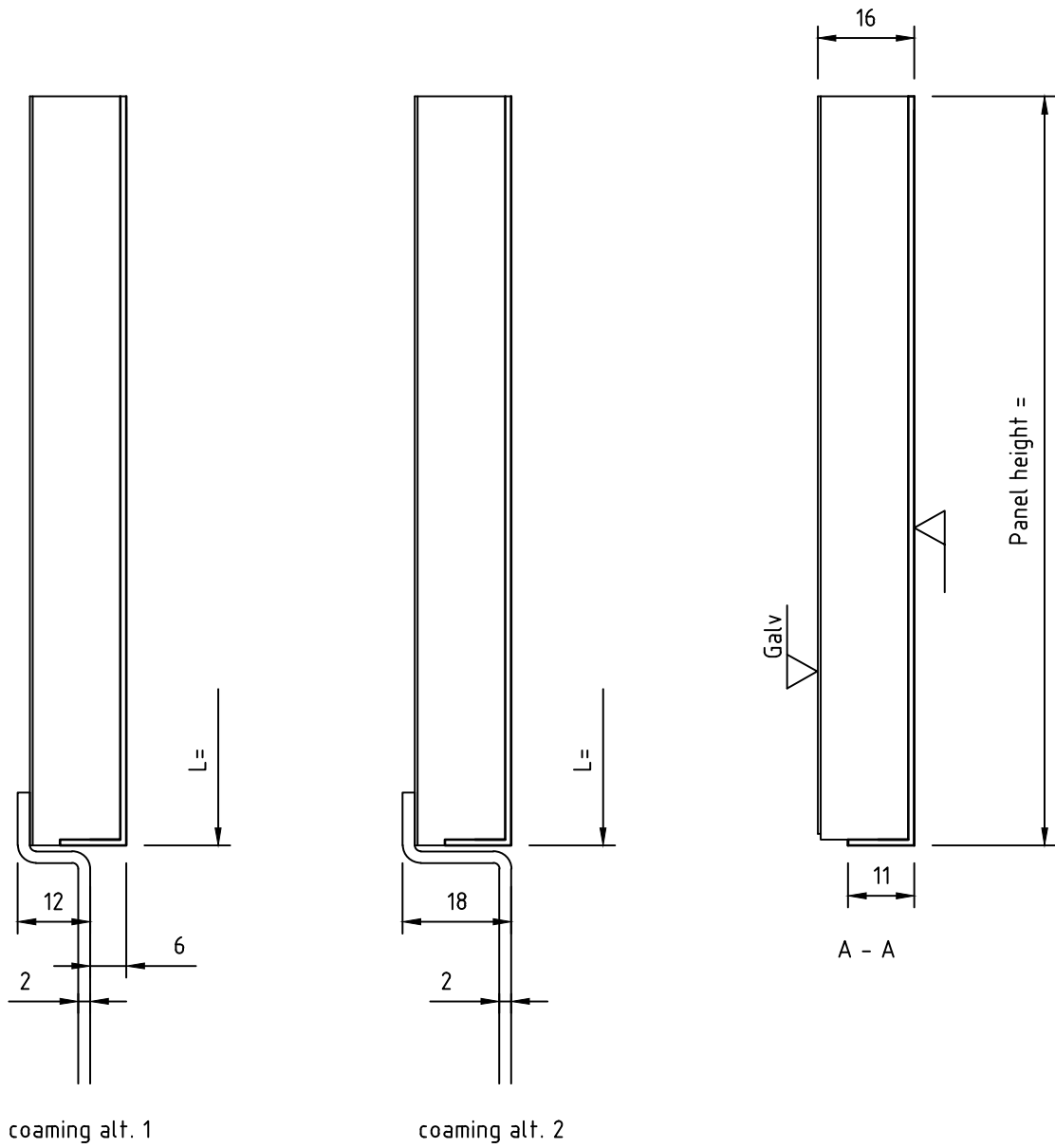
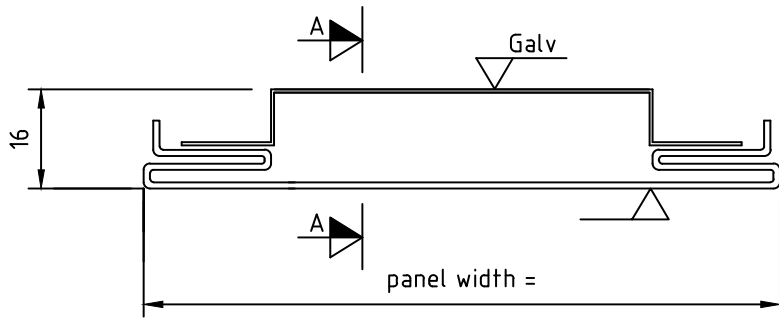




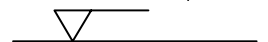
PVC or painted
thickness 0,6 mm

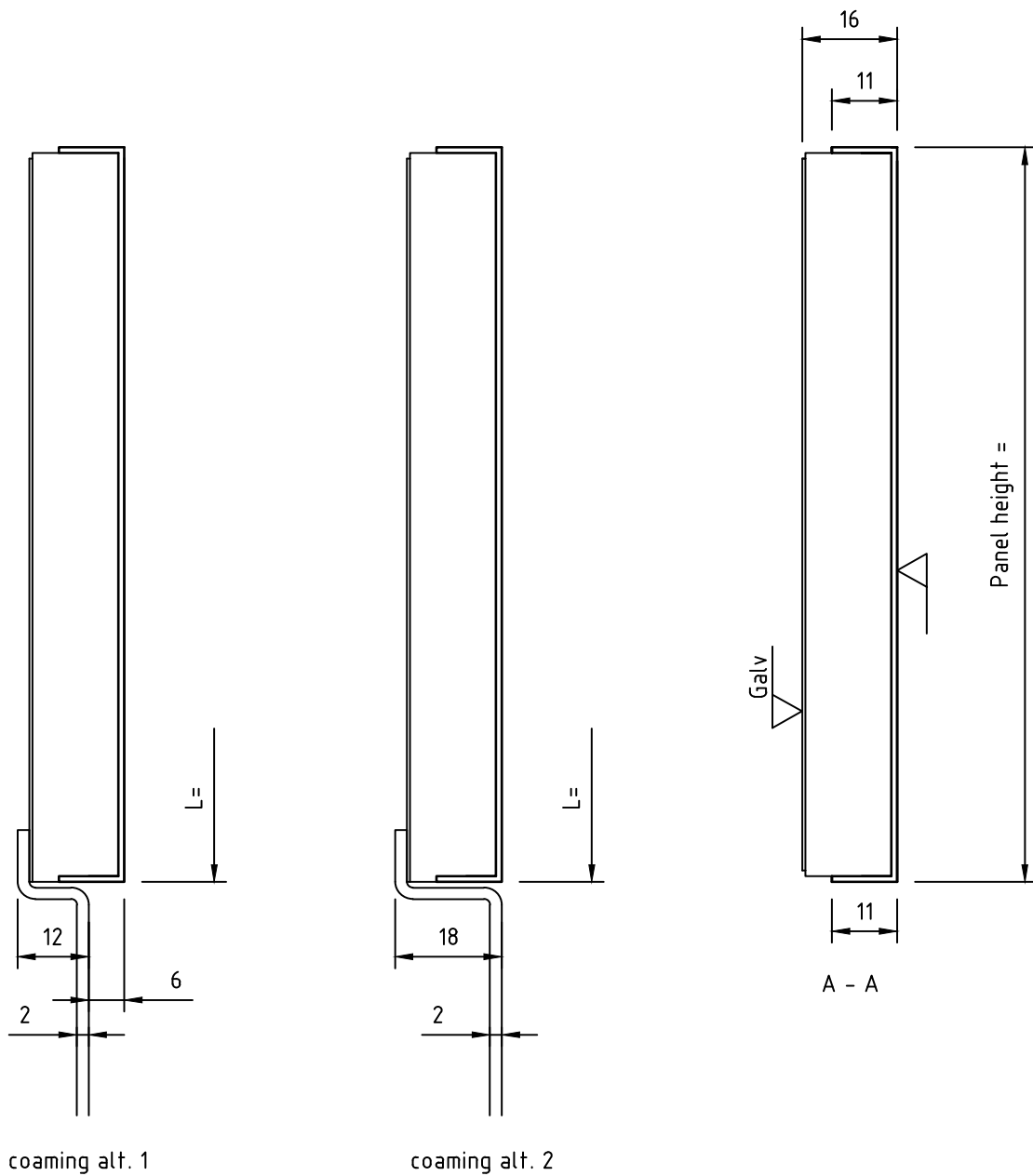
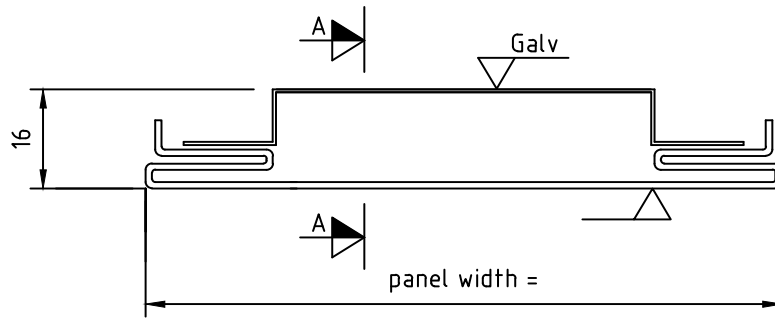






PVC or painted
thickness 0,6 mm





PVC or painted
thickness 0,6 mm

