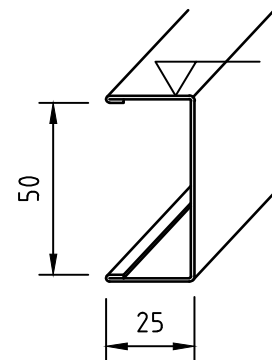
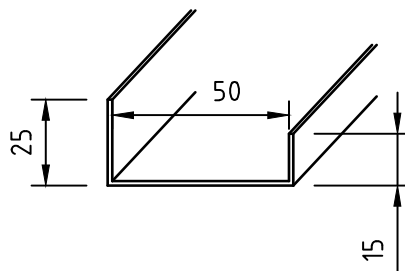


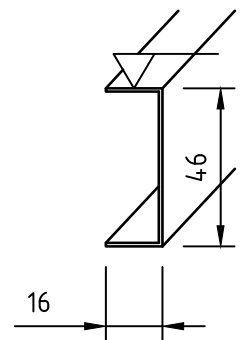
Top profile  
type 251  
Galv 1,0 mm



Connection profile  
type 452

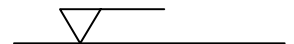


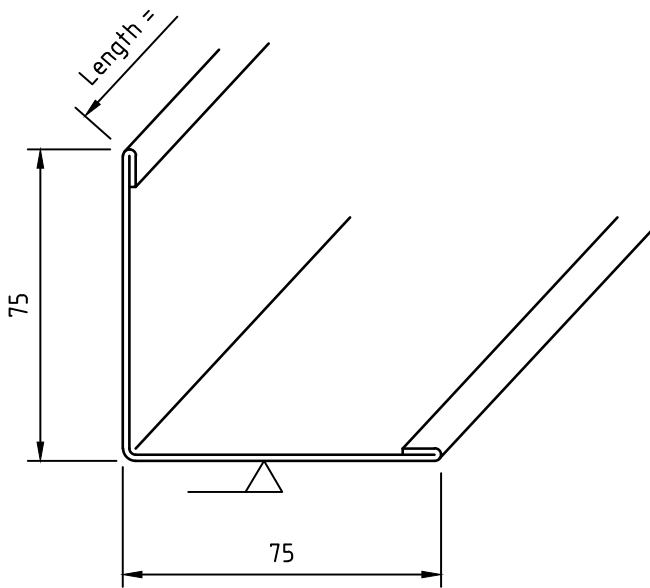
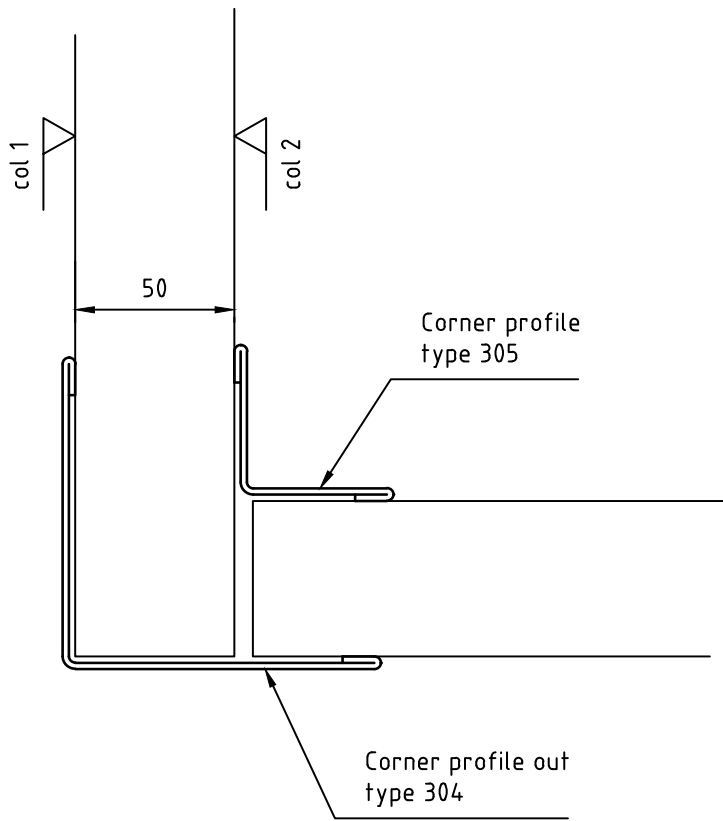
Bottom profile  
type 151  
Galv 1,25 mm



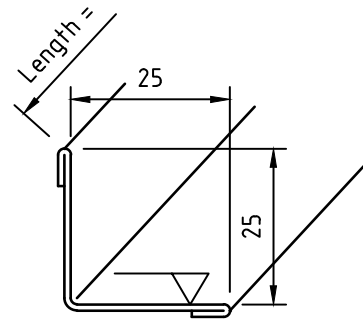
Connection profile  
type 451

PVC or painted  
thickness 0,6 mm



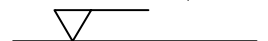


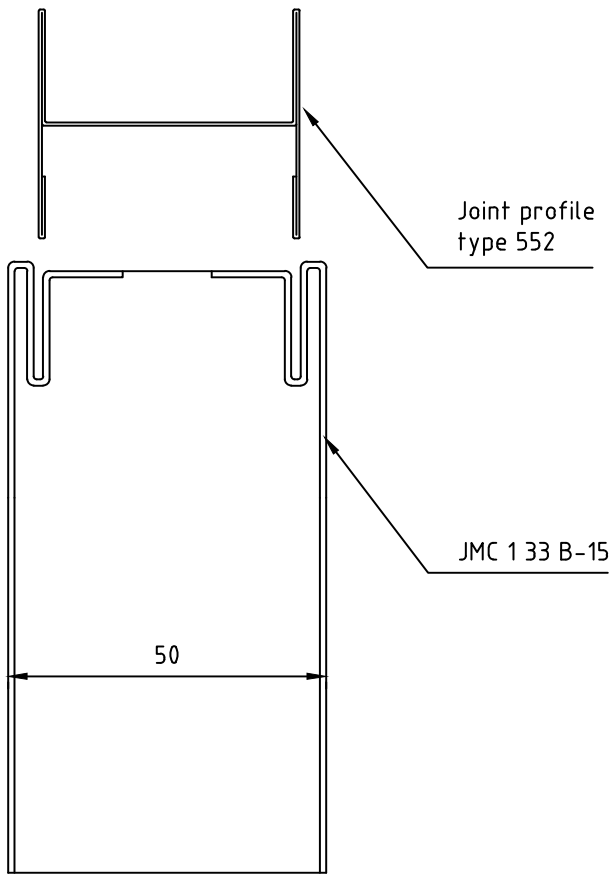
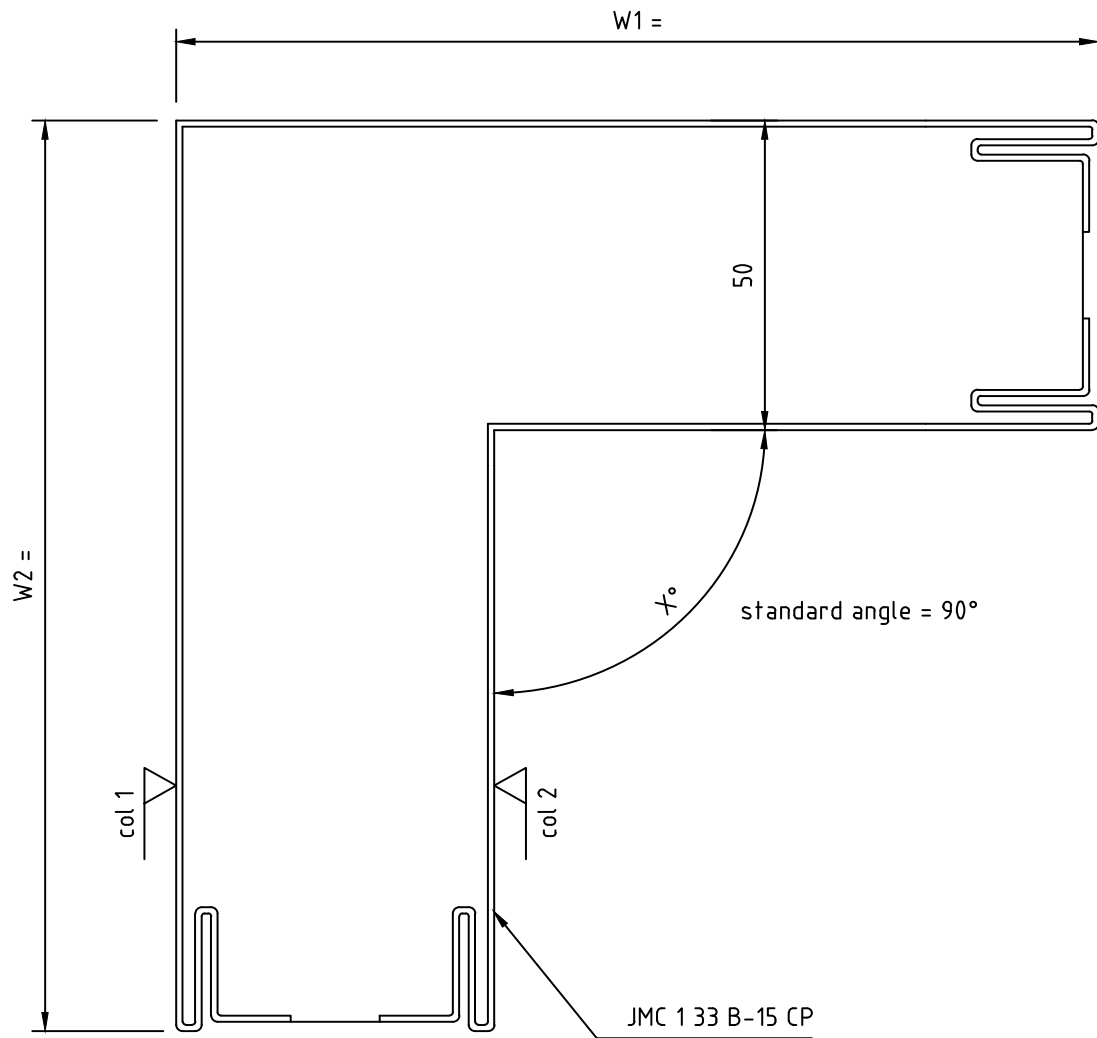
Corner profile out  
type 304



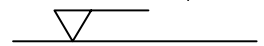
Corner profile in  
type 305

PVC or painted  
thickness 0,6 mm





PVC or painted  
thickness 0,6 mm



**JMC 1 33 B-15 CP**  
Corner panel

**SBA** INTERIOR

Page  
3