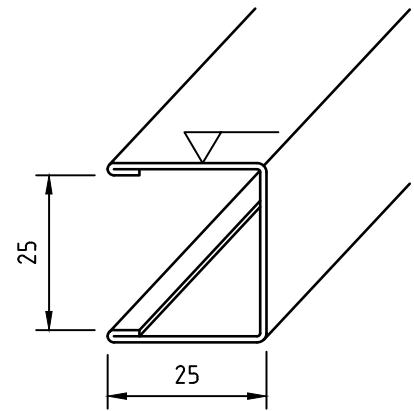
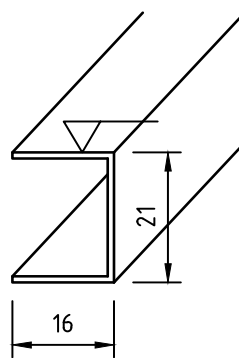


Top profile
type 221
Galv 1,0 mm



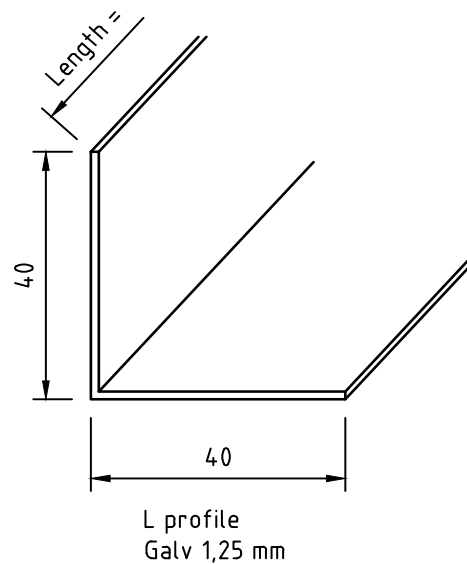
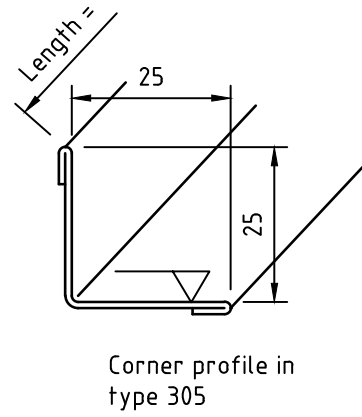
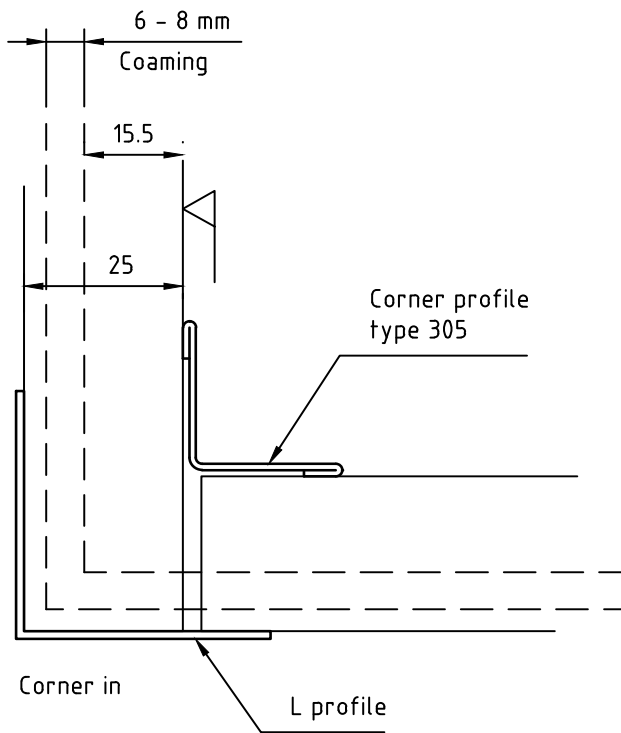
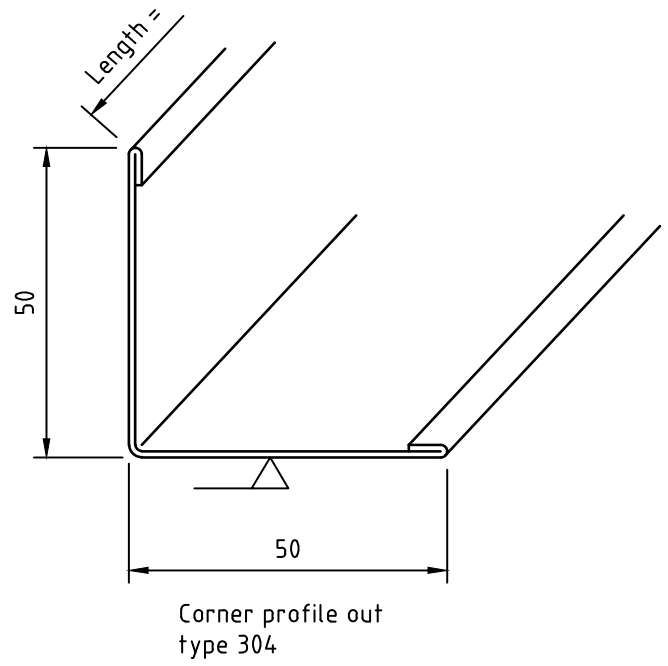
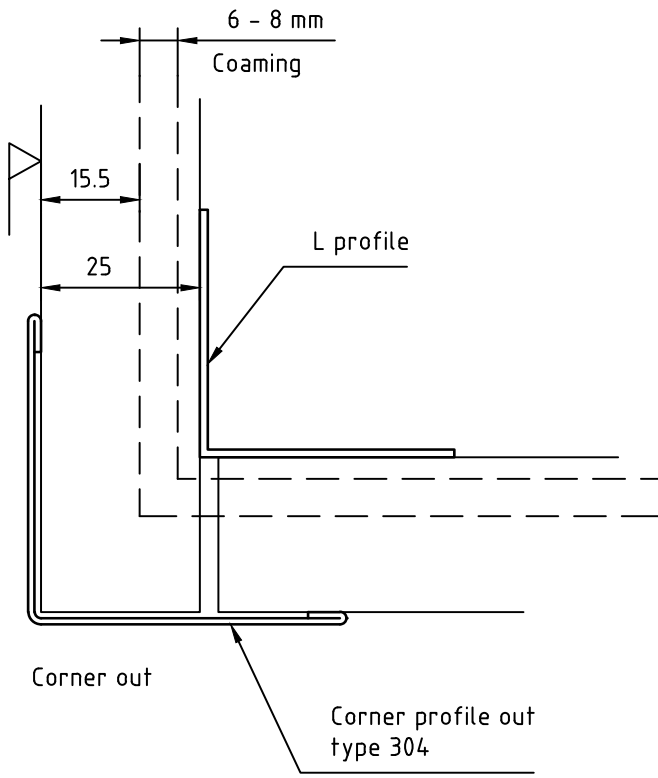
Connection profile
type 422



Connection profile
type 421

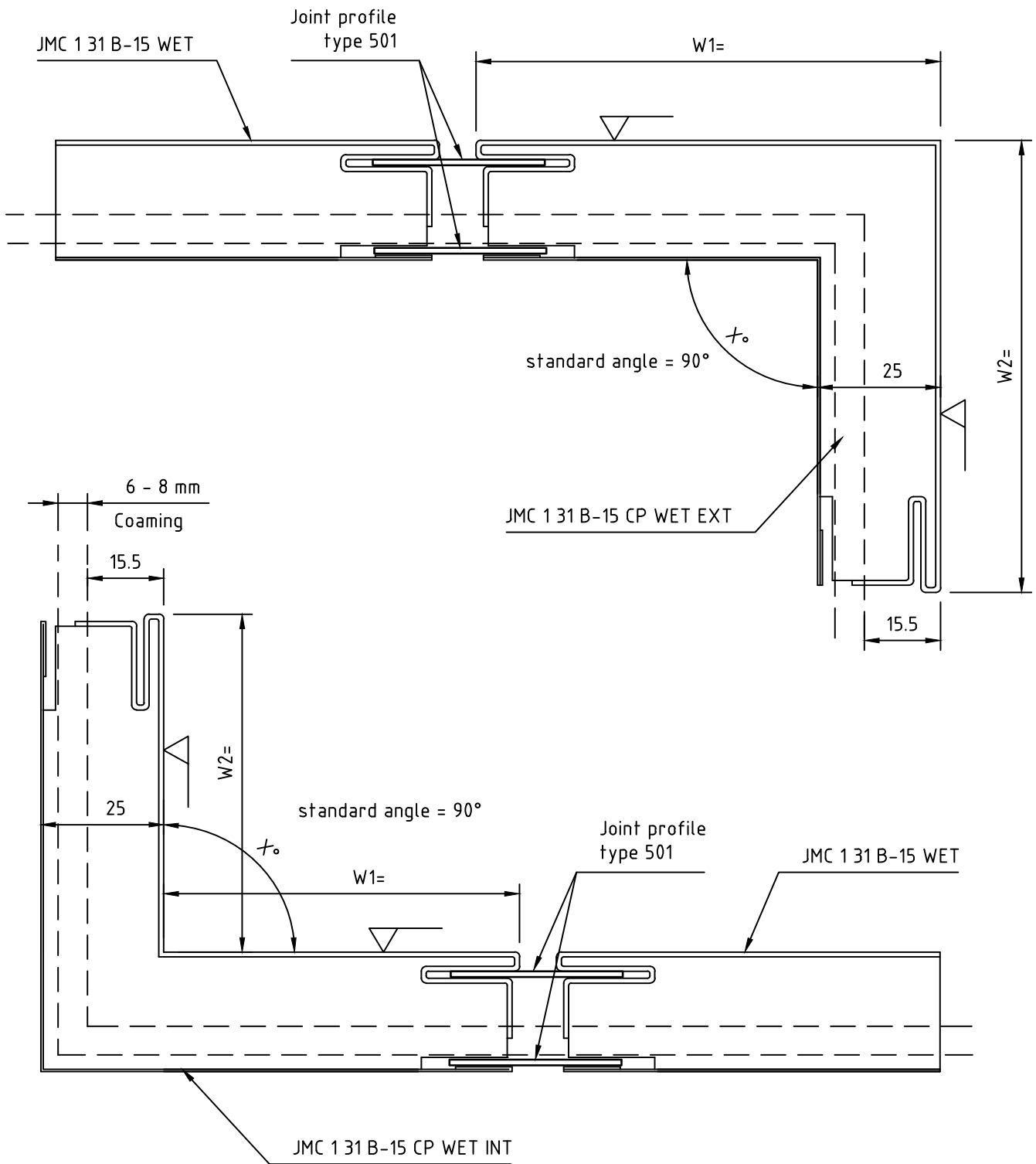
PVC or painted
thickness 0,6 mm



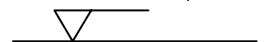


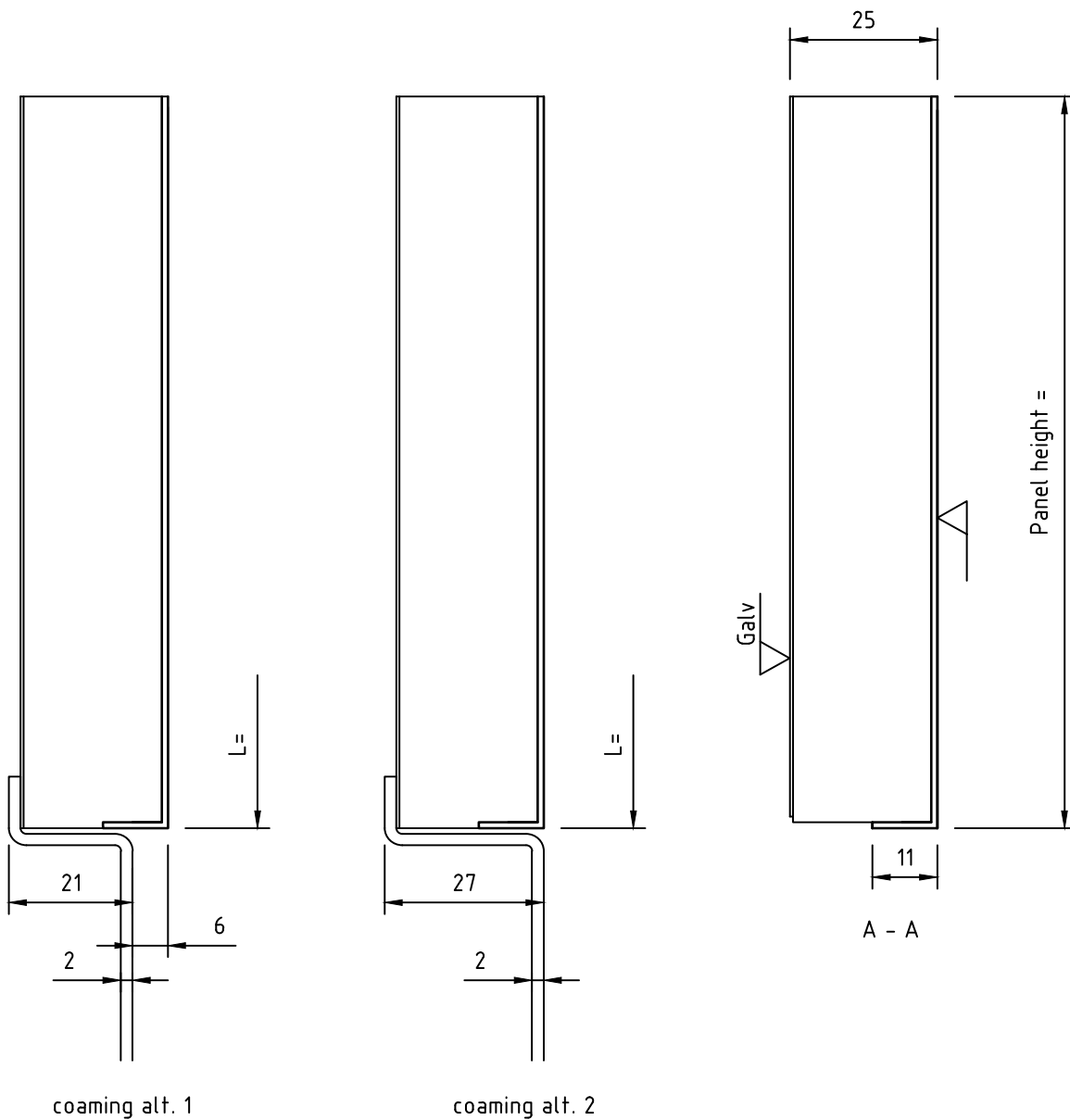
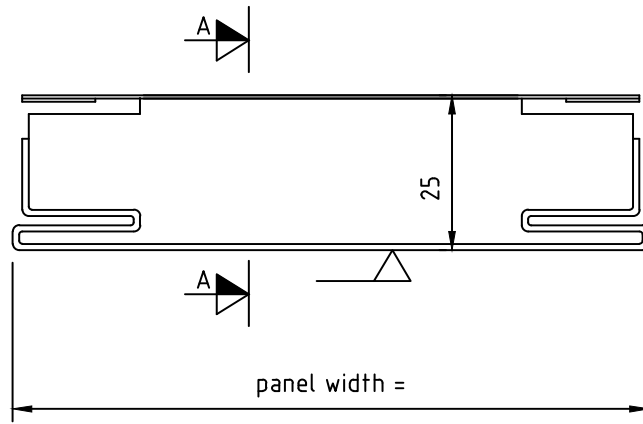
PVC or painted thickness 0,6 mm



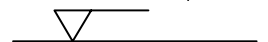


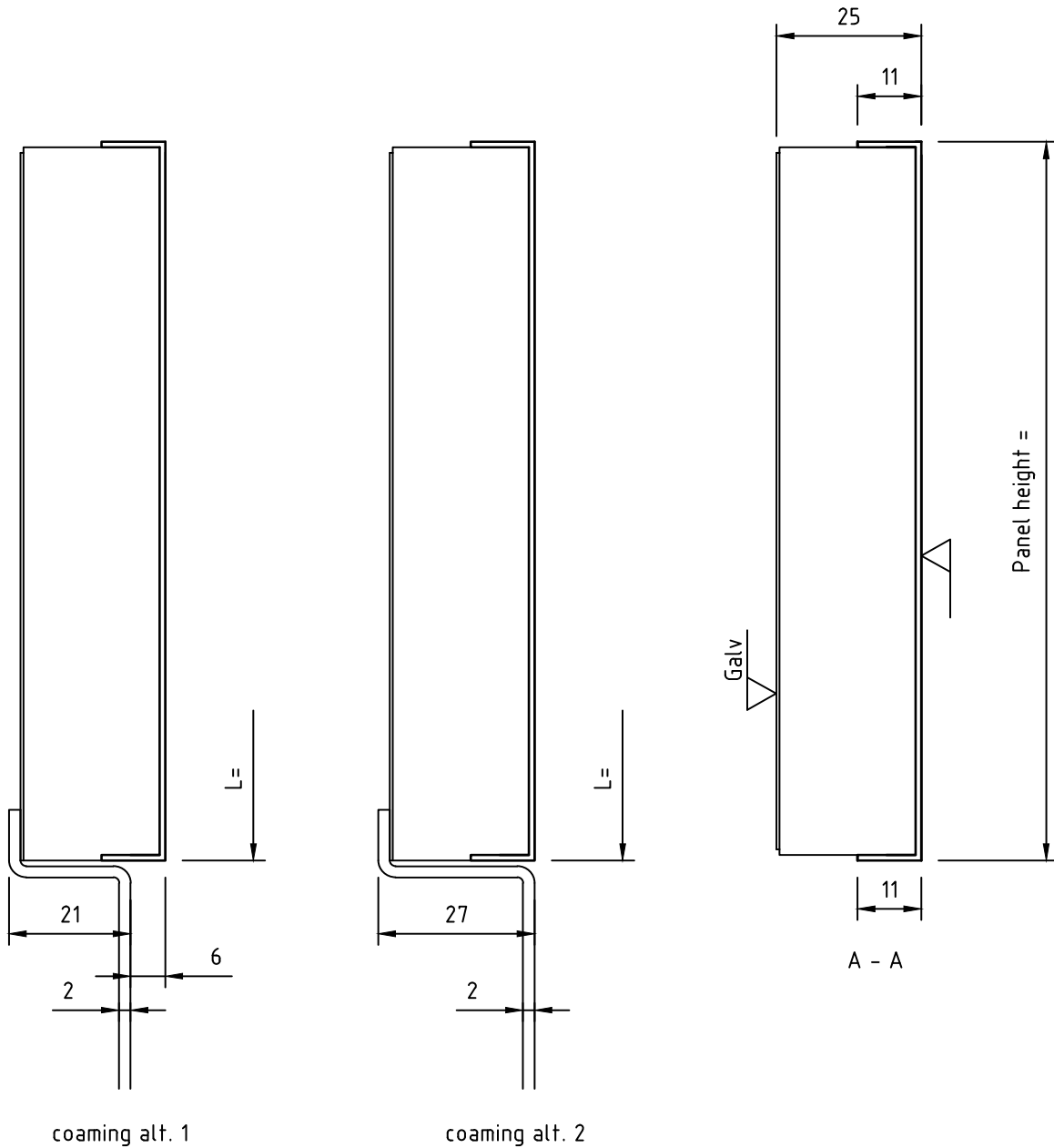
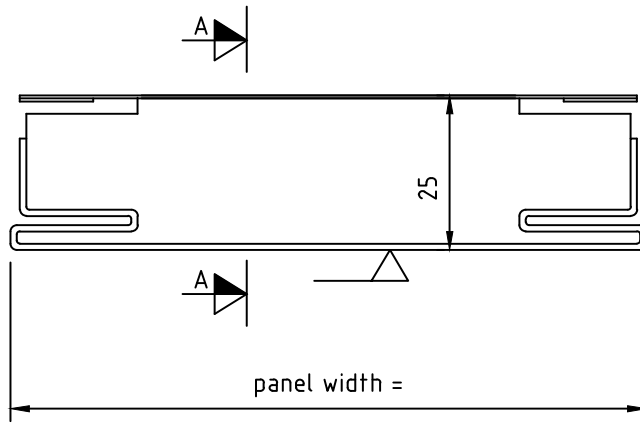
PVC or painted
thickness 0,6 mm





PVC or painted
thickness 0,6 mm





PVC or painted
thickness 0,6 mm



JMC 1 31 B-15 WET
End bended
In both ends

SBA INTERIOR

Page
5