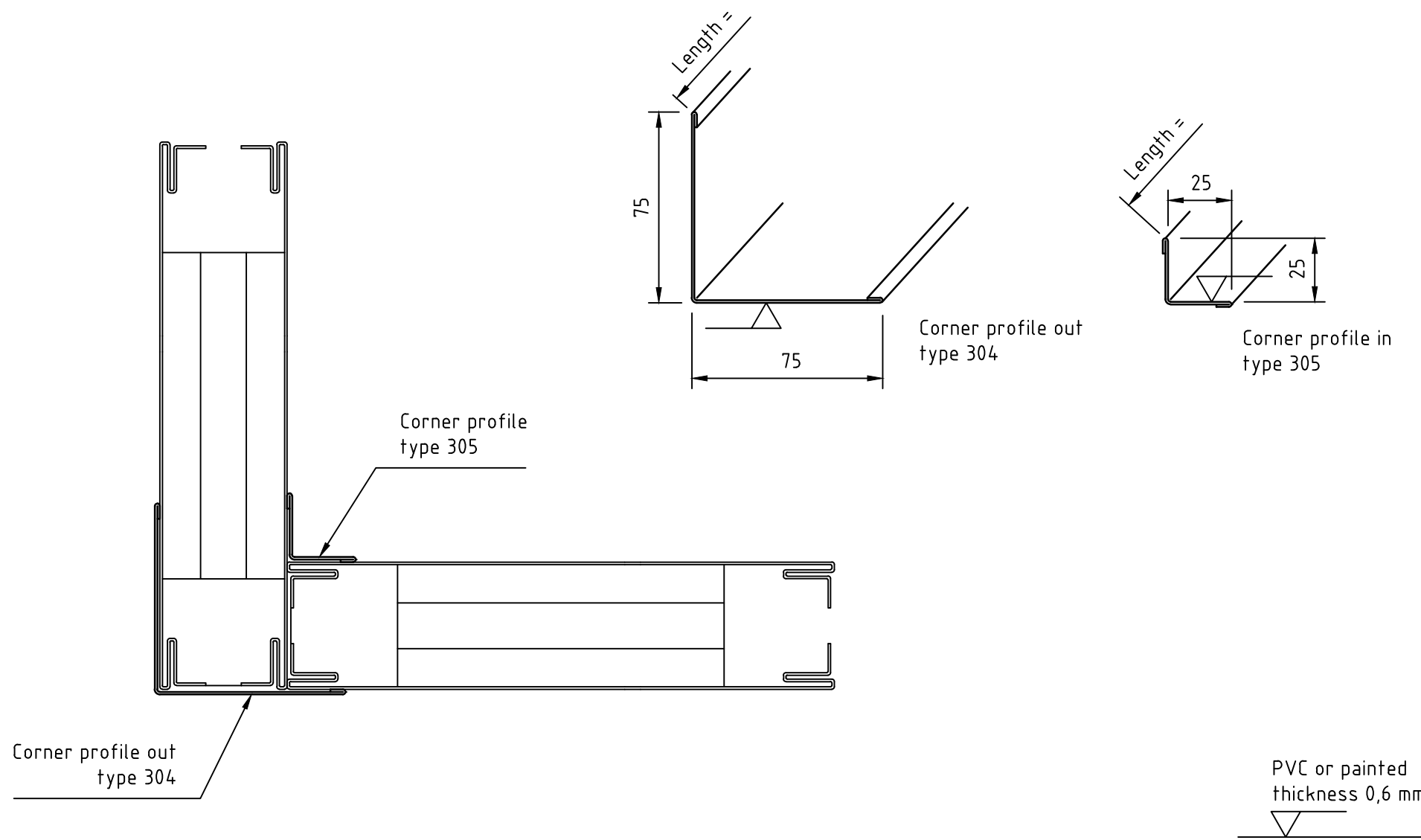


JMC 1 38 B-15
JMC 1 42 B-15
JMC 1 44 B-15

SBA INTERIOR

Page
1 / 2



JMC 1 38 B-15
 JMC 1 42 B-15
 JMC 1 44 B-15
 Corner profiles

