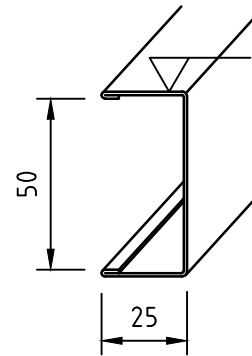
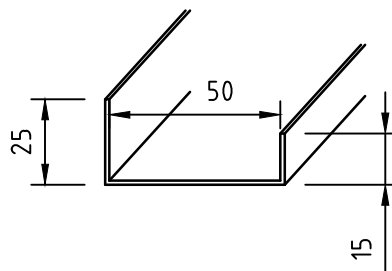


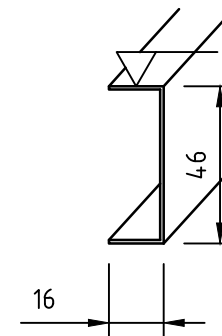
Top profile
type 251
Galv 1,0 mm



Connection profile
type 452



Bottom profile
type 151
Galv 1,25 mm



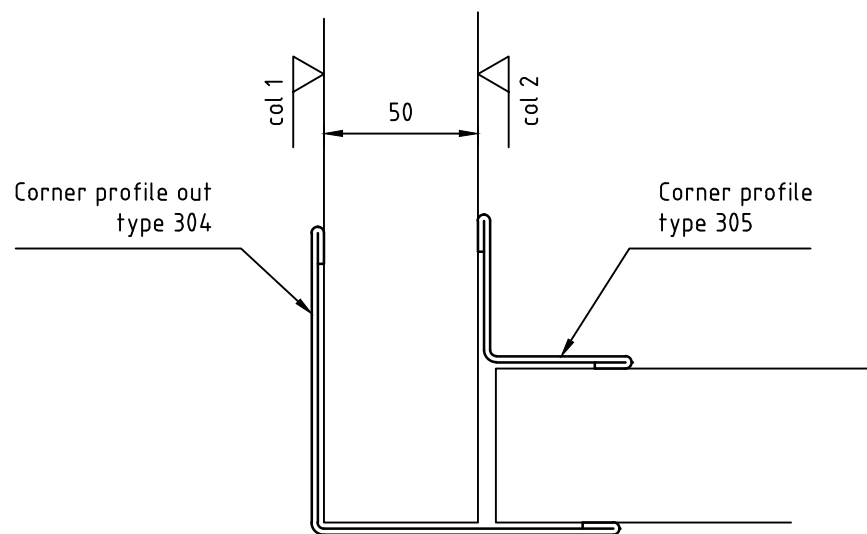
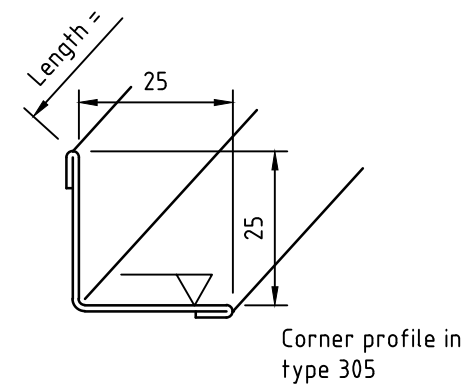
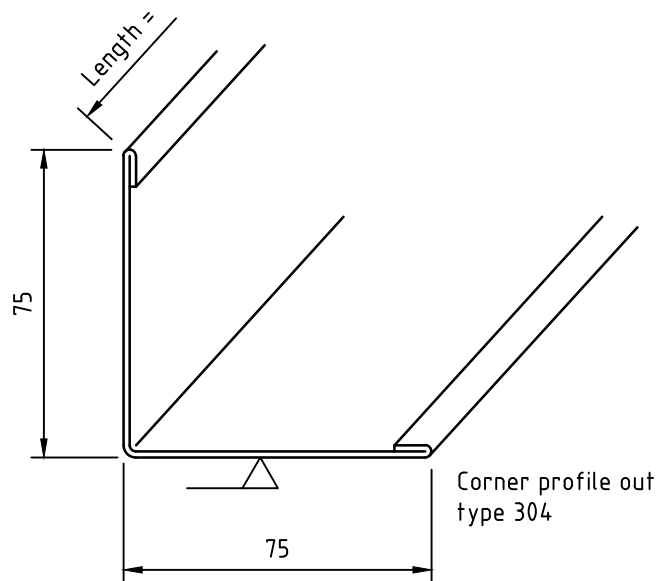
Connection profile
type 451

PVC or painted
thickness 0,6 mm

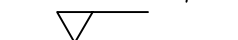
JMC 1 33 B-15

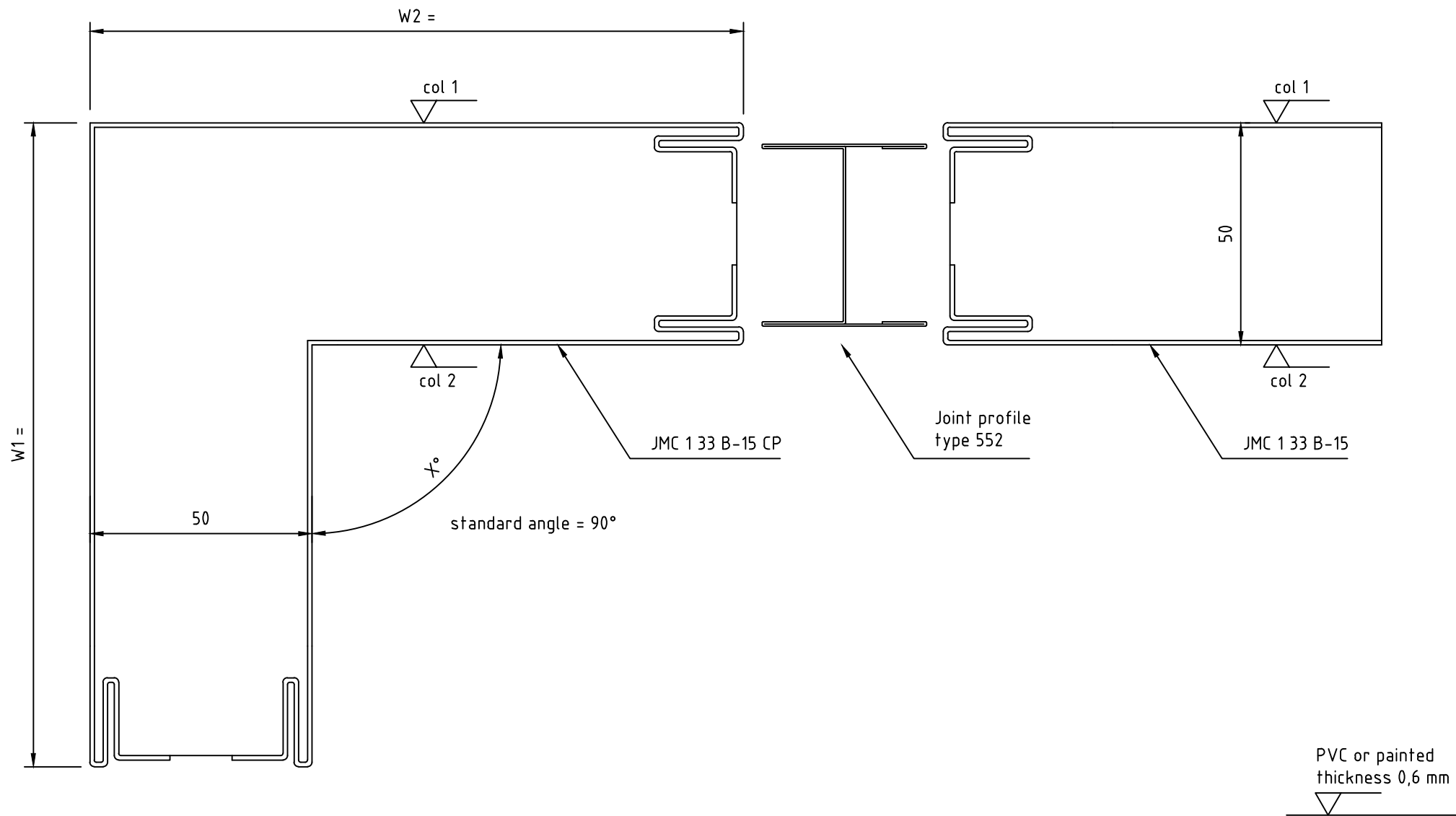
SBA INTERIOR

Page
1 / 3



PVC or painted
thickness 0,6 mm





JMC 1 33 B-15 CP
Corner panel

SBA INTERIOR

Page
3 / 3