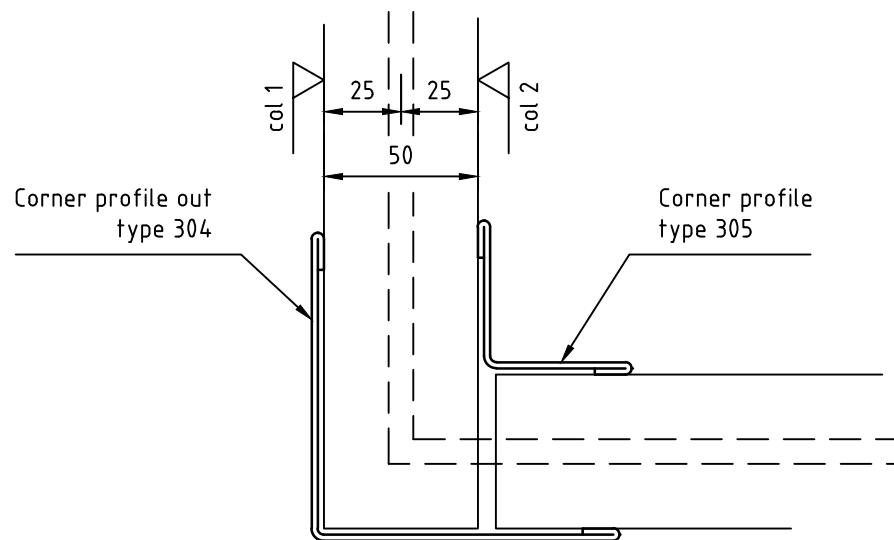
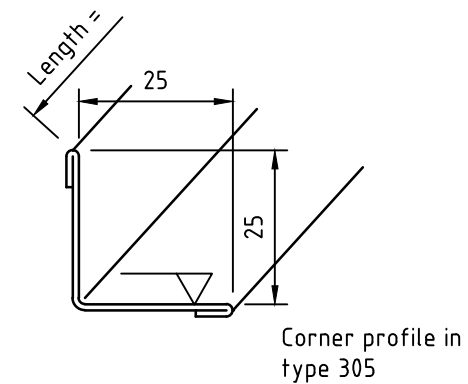
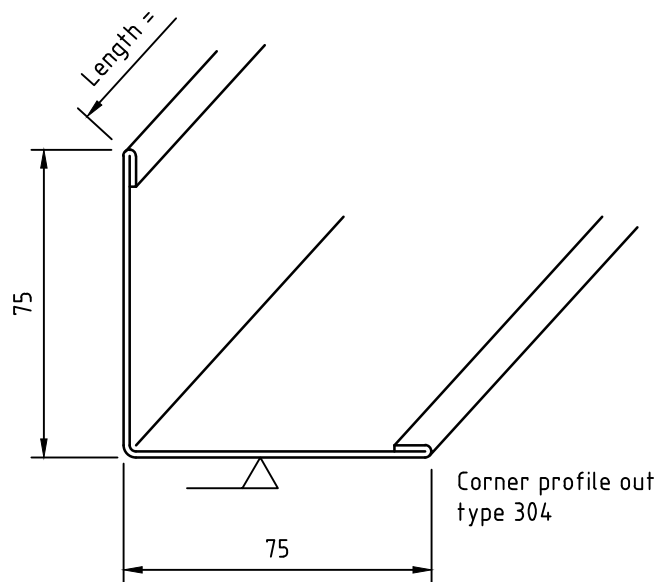
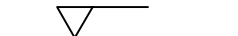


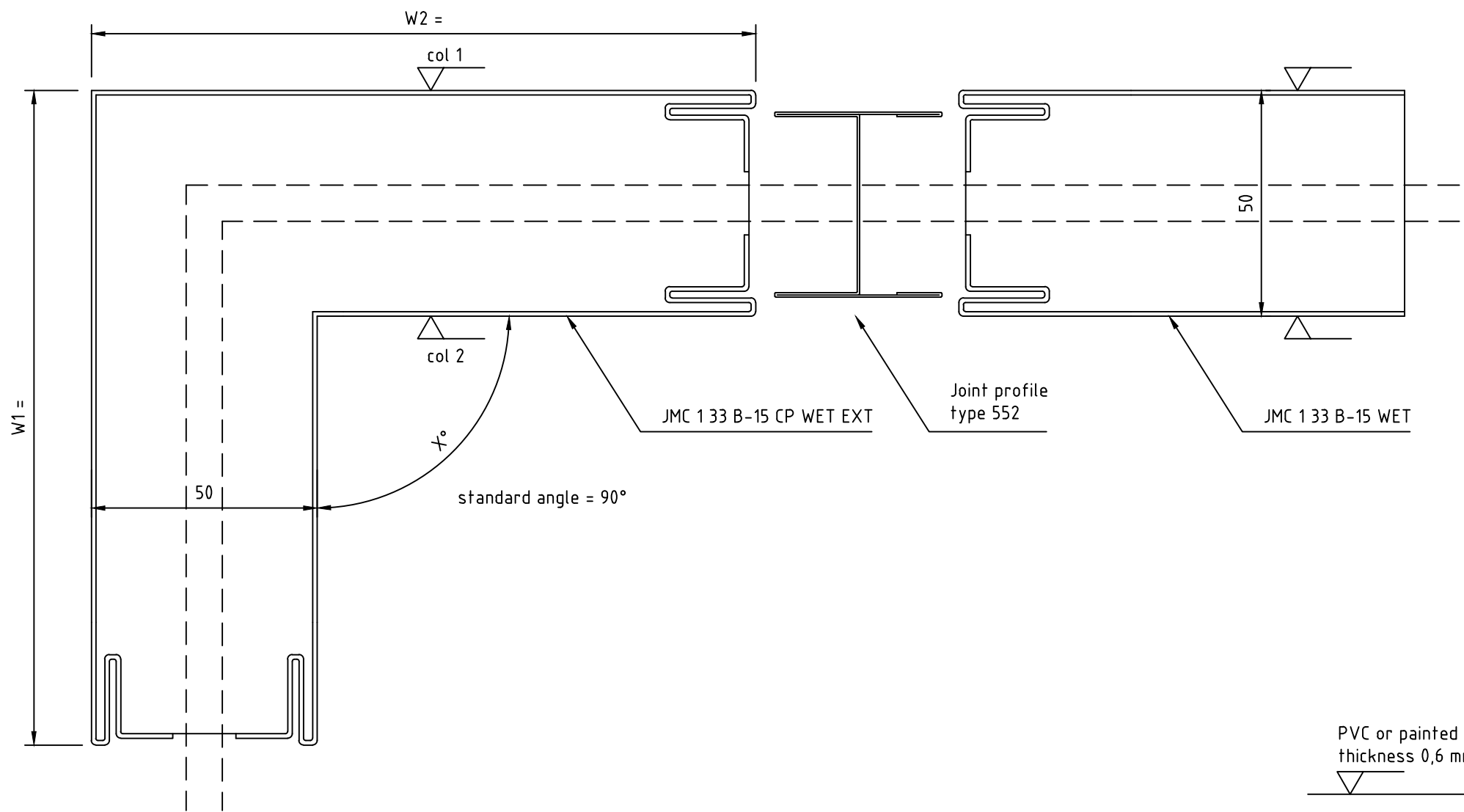
JMC 1 33 B-15 WET





PVC or painted
thickness 0,6 mm





JMC 1 33 B-15 CP WET EXT
Corner panel

S SBA INTERIOR

Page
3 / 3