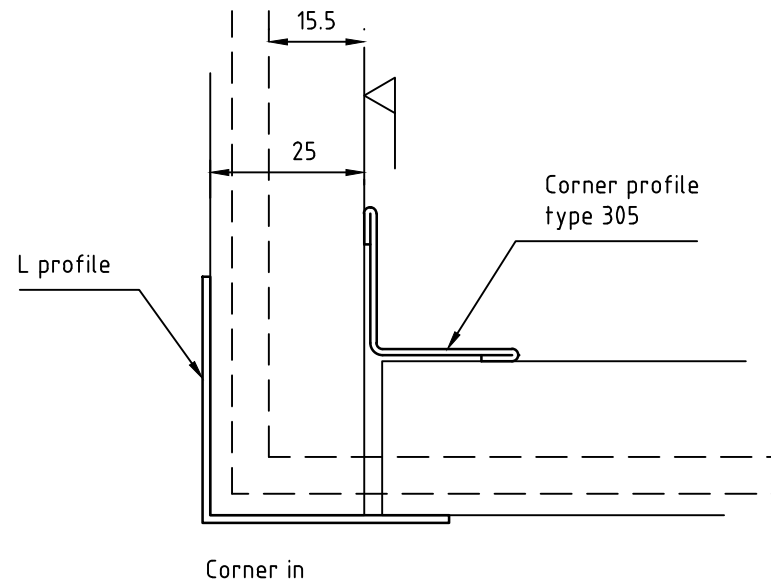
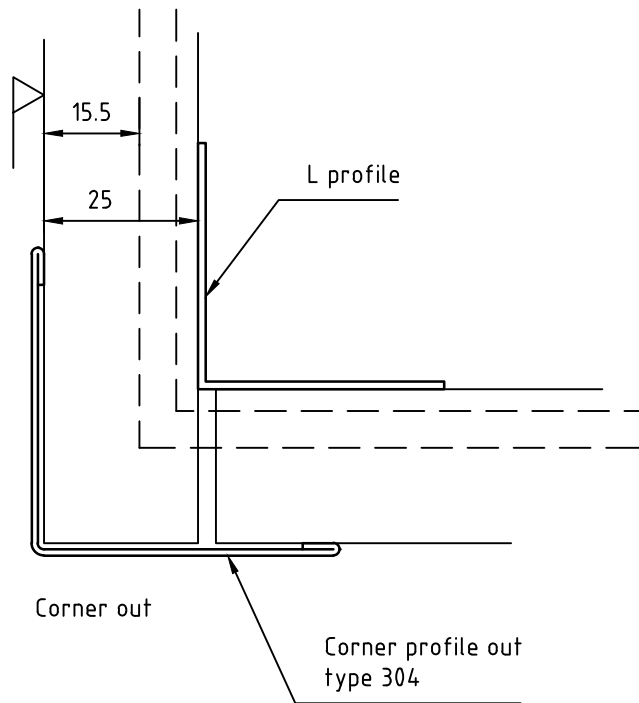
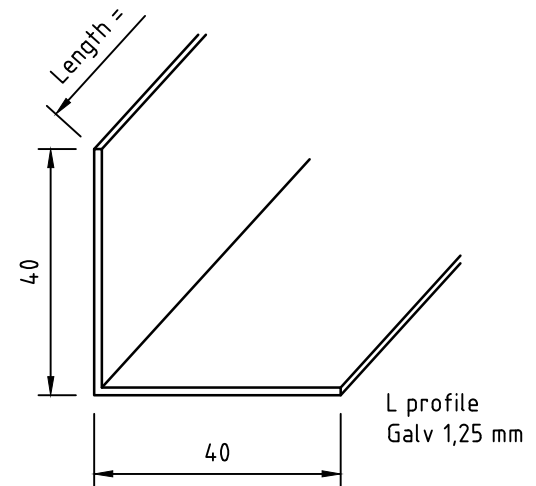
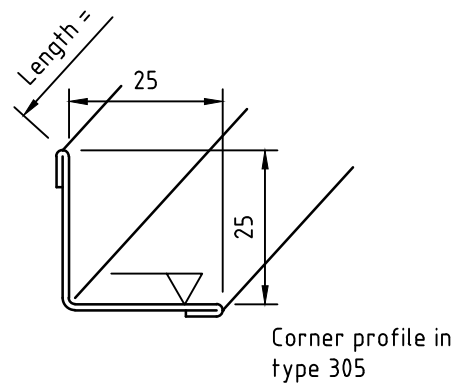
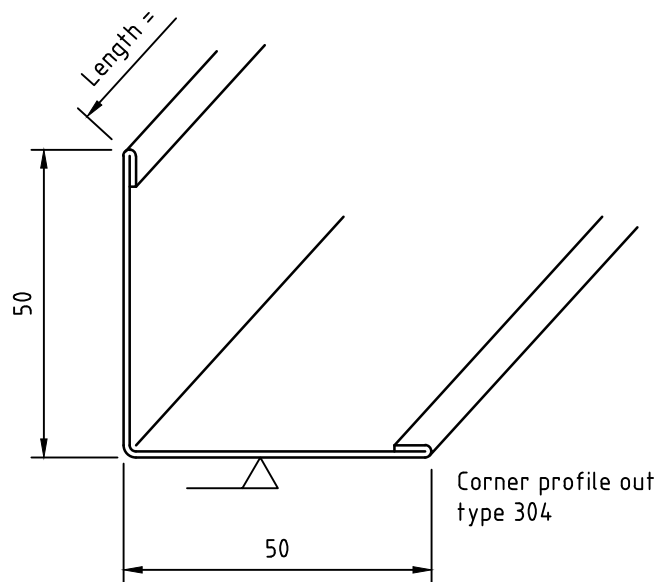


JMC 1 31 B-15 WET

**SBA** INTERIOR

Page

1 / 3

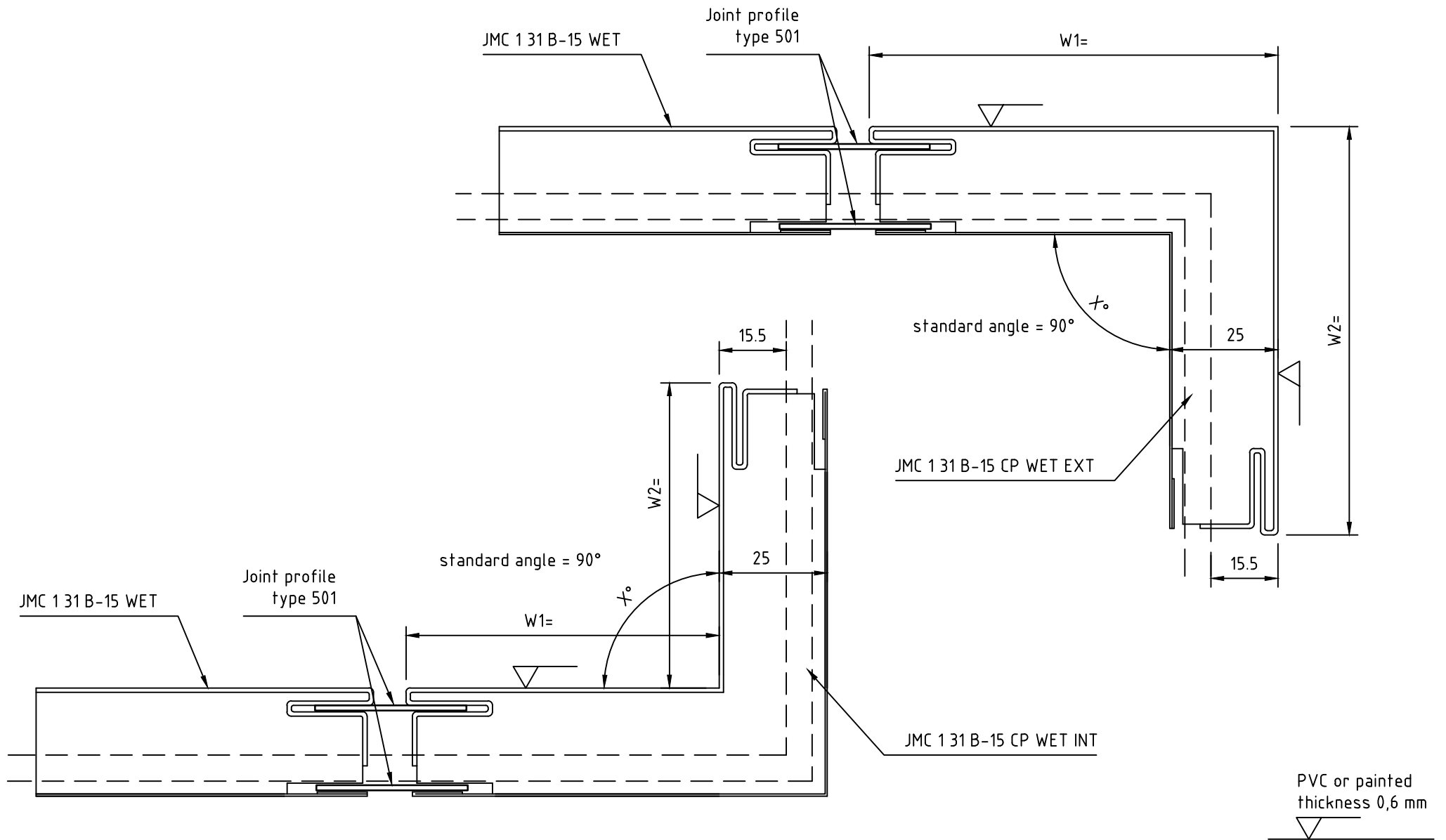


PVC or painted thickness 0,6 mm

**JMC 1 31 B-15 WET**  
**Corner profiles**

**SBA** INTERIOR

**Page**  
**2 / 3**



**JMC 1 31 B-15 WET**  
**Corner panels**

**SBA** INTERIOR

**Page**  
**3 / 3**